

## ***Gears, Gear Racks & Worm Gears***

NSPT supplies all series of spur gears, bevel gears, gear racks, worm wheels, worms and other similar transmission parts. All the products are designed according to international standards, in accordance with ANSI and ISO standards. Our products are finely manufactured with high quality. They have a ready market overseas and adopted by many users.

Our products scope is from DP3 to DP24 with pressure angle  $14\frac{1}{2}^{\circ}$  and  $20^{\circ}$



The gears, worm wheels and worms can be made of S45C, GG25, GGG40 or nylon, alloy copper. The surface can be treated according to different requests such as black oxide, phosphating, painting or plating.

The racks are made of high-grade C45 steel. The racks have high transmitting precision and are available in all series.

NSPT can offer the gears, racks and other products based on special requests from customers.

**Gears, Gear Racks & Worm Gears**

P354



**S**<sup>tock</sup>  
**B**<sub>ore</sub>

**Steel Stock Spur Gears**  
**Cast Iron Stock Spur Gears**  
**Machined Gear Racks**

Pressure Angle:  $14\frac{1}{2}^{\circ}$   $20^{\circ}$   
Pitch: 3DP-24DP

P371



**F**<sup>inished</sup>  
**B**<sub>ore</sub>

**Steel Stock Spur Gears**

Pressure Angle:  $14\frac{1}{2}^{\circ}$   
Pitch: 8DP 10DP 12DP 16DP

P373



**T**<sup>aper</sup>  
**B**<sub>ore</sub>

**STL Spur Gears**

Pressure Angle:  $14\frac{1}{2}^{\circ}$   $20^{\circ}$   
Pitch: 3DP-16DP

P383



**S**<sup>tock</sup>  
**B**<sub>ore</sub>

**Steel Miter Gears**

Pressure Angle:  $14\frac{1}{2}^{\circ}$   $20^{\circ}$   
Pitch: 4DP-16DP

P388



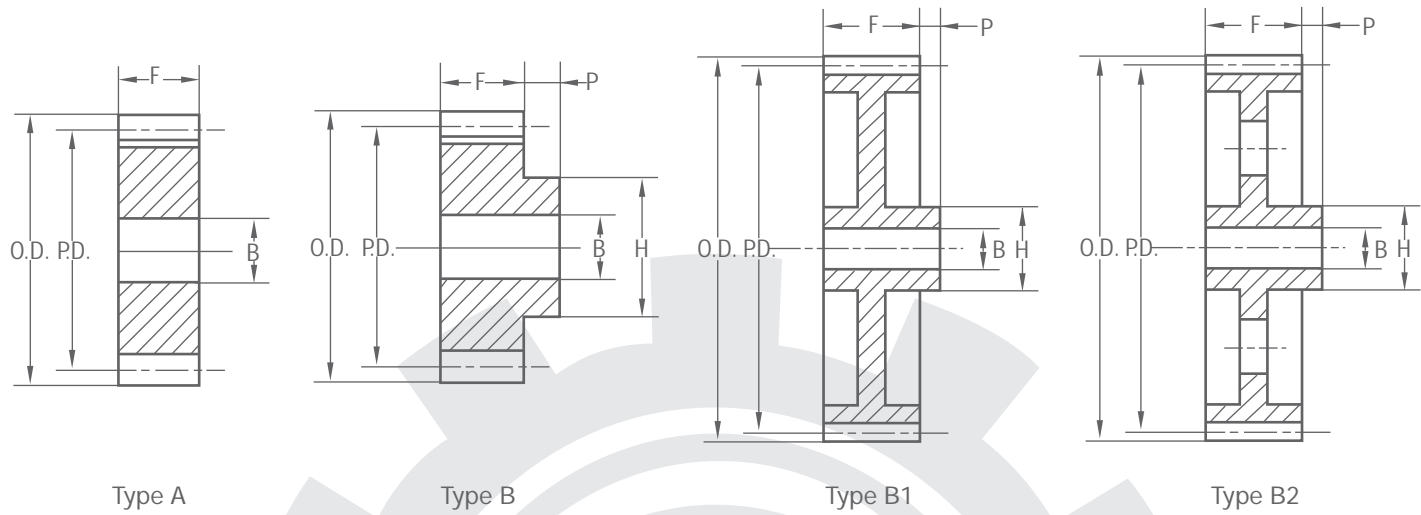
**S**<sup>tock</sup>  
**B**<sub>ore</sub>

**Worm & Worm Gears**

Pressure Angle:  $14\frac{1}{2}^{\circ}$   
Pitch: 3DP-16DP

# Steel Stock Spur Gears

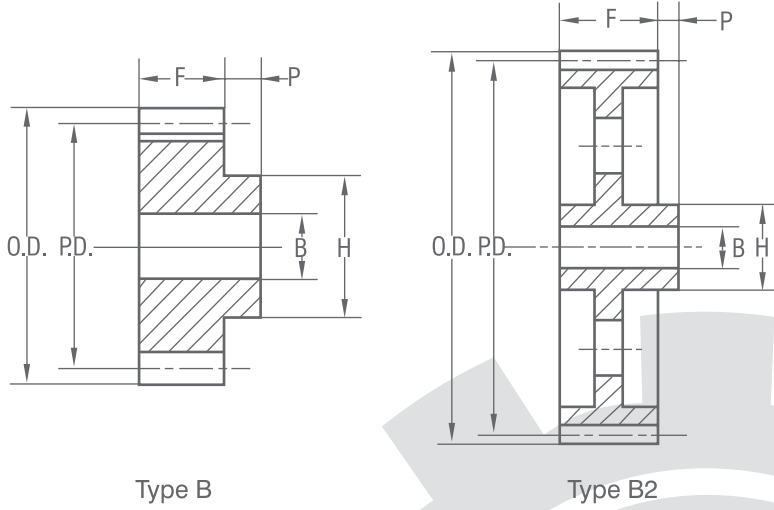
Pressure Angle **14 1/2°**



Z	3DP		3"Face		Type	Hubs	wt	4DP		2"Face		wt
	Diameter		Hubs					Diameter		Hubs		
	OD	PD	dm	F+P				Lbs	OD	PD	Type	
11	4.666	4.000	A	—	3	12.0	3.50	3.00	B	2 1/4	2 7/8	4.0
12	4.666	4.000	A	—	3	11.0	3.50	3.00	B	2 1/4	2 7/8	3.9
13	5.000	4.333	A	—	3	10.7	3.75	3.25	B	2 1/4	2 7/8	4.6
14	5.333	4.667	A	—	3	12.8	4.00	3.50	B	2 3/4	2 7/8	5.7
15	5.666	5.000	A	—	3	14.8	4.25	3.75	B	3	2 7/8	6.8
16	6.000	5.333	A	—	3	17.0	4.50	4.00	B	3 1/4	2 7/8	8.0
17	6.333	5.666	A	—	3	19.5	4.75	4.25	B	3 1/2	2 7/8	9.2
18	6.666	6.000	A	—	3	22.0	5.00	4.50	B	3 3/4	2 7/8	10.4
19	7.000	6.333	A	—	3	27.4	5.25	4.75	B	4	2 7/8	10.5
20	7.333	6.667	A	—	3	30.7	5.50	5.00	B	4 1/4	2 7/8	13.4
21	7.666	7.000	A	—	3	48.2	5.75	5.25	B	4 1/2	2 7/8	14.9
22	8.000	7.333	A	—	3	55.0	6.00	5.50	B	4 3/4	2 7/8	16.5
24	8.666	8.000	B	5 1/2	4 1/4	74.5	6.50	6.00	B	4 3/4	3 1/2	22.8
26	9.333	8.666	B	5 1/2	4 1/4	83.6	7.00	6.50	B	4 3/4	3 1/2	24.8
28	10.000	9.333	B	6 1/4	4 1/4	98.0	7.50	7.00	B	4 3/4	3 1/2	27.8
30	10.666	10.000	B	6 1/4	4 1/4	114	8.00	7.50	B	4 3/4	3 1/2	31.0
32	11.333	10.666	B	6 1/4	4 3/4	119	8.50	8.00	B	4 3/4	3 1/2	34.4
36	12.666	12.000	B	6 1/2	4 3/4	106	9.50	9.00	B	4 3/4	3 1/2	41.7
40	14.000	13.333	B <sub>1</sub>	6 1/2	4 3/4	115	10.50	10.00	B	5 1/8	3 1/2	51.8
42	14.666	14.000	B <sub>1</sub>	6 1/2	4 3/4	120	11.00	10.50	B	5 1/8	3 1/2	56.0
44	15.333	14.666	B <sub>1</sub>	6 1/2	4 3/4	129	11.50	11.00	B	5 1/8	3 1/2	60.8
48	16.666	16.000	B <sub>1</sub>	6 1/2	4 3/4	134	12.50	12.00	B	5 1/8	3 1/2	70.8
54	18.666	18.000	B <sub>2</sub>	6 1/2	4 3/4	150	14.00	13.50	B <sub>1</sub>	5	3 1/2	57.4
56	19.333	18.666	B <sub>2</sub>	6 1/2	4 3/4	165	14.50	14.00	B <sub>1</sub>	5	3 1/2	59.9
60	20.666	20.000	B <sub>2</sub>	6 1/2	4 3/4	180	15.50	15.00	B <sub>2</sub>	5	3 1/2	62.8
64	22.000	21.333	B <sub>2</sub>	6 1/2	4 3/4	195	16.50	16.00	B <sub>2</sub>	5	3 1/2	66.2
72	24.666	24.000	B <sub>2</sub>	7	4 3/4	215	18.50	18.00	B <sub>2</sub>	5 1/2	3 1/2	82.9
80	27.333	26.666	B <sub>2</sub>	7	4 3/4	238	20.50	20.00	B <sub>2</sub>	5 1/2	3 1/2	92.0
84	28.666	28.000	B <sub>2</sub>	7	4 3/4	264	21.50	21.00	B <sub>2</sub>	5 1/2	3 1/2	95.0
88	30.000	29.333	B <sub>2</sub>	7	4 3/4	288	22.50	22.00	B <sub>2</sub>	6 1/8	3 3/4	95.8
96	32.666	32.000	B <sub>2</sub>	7	4 3/4	305	24.50	24.00	B <sub>2</sub>	6 1/8	3 3/4	124
108	36.666	36.000	B <sub>2</sub>	7	4 3/4	322	27.50	27.00	B <sub>2</sub>	6 1/4	3 3/4	138
120	40.666	40.000	B <sub>2</sub>	7 1/2	4 3/4	367	30.50	30.00	B <sub>2</sub>	6 1/4	3 3/4	155
144			B <sub>2</sub>				36.50	36.00	B <sub>2</sub>	6 1/2	3 3/4	208

# Steel Stock Spur Gears

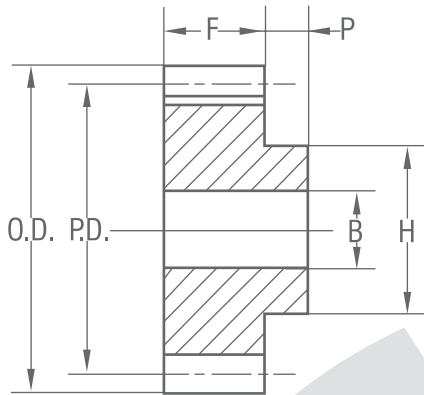
Pressure Angle **14 1/2°**



Z	5DP 1 3/4" Face						6DP 1 1/2" Face					
	Diameter		Type	Hubs		wt	Diameter		Type	Hubs		wt
	OD	PD		dm	F+P		Lbs	OD		PD	dm	
11	2.80	2.40	B	1 25/32	25/8	2.0	2.333	2.000	B	1 1/2	23/8	1.1
12	2.80	2.40	B	1 25/32	25/8	2.0	2.333	2.000	B	1 1/2	23/8	1.1
13	3.00	2.60	B	2	25/8	2.6	2.500	2.167	B	1 3/4	23/8	1.5
14	3.20	2.80	B	2 3/16	25/8	3.1	2.666	2.333	B	1 3/16	23/8	1.8
15	3.40	3.00	B	2 3/8	25/8	3.7	2.833	2.500	B	2	23/8	2.2
16	3.60	3.20	B	2 19/32	25/8	4.5	3.000	2.666	B	2 5/32	23/8	2.6
17	3.80	3.40	B	2 7/8	25/8	5.2	3.167	2.833	B	2 7/16	23/8	2.9
18	4.00	3.60	B	3	25/8	5.9	3.333	3.000	B	2 1/2	23/8	3.5
19	4.20	3.80	B	3 1/4	25/8	6.7	3.500	3.167	B	2 3/4	23/8	3.9
20	4.40	4.00	B	3 3/8	25/8	7.5	3.666	3.333	B	2 27/32	23/8	4.6
21	4.60	4.20	B	3 3/8	25/8	8.1	3.833	3.500	B	3	23/8	5.1
22	4.80	4.40	B	3 3/8	25/8	8.8	4.000	3.666	B	3	23/8	5.5
23	5.00	4.60	B	3 3/8	25/8	9.5	4.167	3.823	B	3	2 1/2	5.9
24	5.20	4.80	B	3 3/8	3	11.0	4.333	4.000	B	3	2 1/2	6.5
25	5.40	5.00	B	3 3/8	3	11.8	4.500	4.167	B	3	2 1/2	6.5
26	5.60	5.20	B	3 3/8	3	12.9	4.666	4.330	B	3	2 1/2	6.8
27	5.80	5.40	B	3 3/8	3	13.5	4.833	4.500	B	3	2 1/2	7.6
28	6.00	5.60	B	3 3/8	3	14.3	5.000	4.666	B	3	2 1/2	8.3
30	6.40	6.00	B	3 3/8	3	16.0	5.333	5.000	B	3 1/8	2 1/2	9.5
32	6.80	6.40	B	4 1/4	3	18.0	5.666	5.333	B	3 1/8	2 1/2	10.7
33	7.00	6.60	B	4 1/4	3	19.5	5.833	5.500	B	3 1/4	2 1/2	11.3
35	7.40	7.00	B	4 1/4	3	22.8	6.167	5.833	B	3 1/4	2 1/2	12.2
36	7.60	7.20	B	4 1/4	3	25.3	6.333	6.000	B	3 1/4	2 1/2	13.3
39	8.20	7.80	B	4 1/4	3	26.9	6.833	6.500	B	4	2 1/2	16.6
40	8.40	8.00	B	4 1/4	3	28.5	7.000	6.666	B	4	2 1/2	17.6
42	8.80	8.40	B	4 5/8	3	33.0	7.333	7.000	B	4	2 1/2	18.9
45	9.40	9.00	B	4 5/8	3	35.0	7.833	7.500	B	4	2 1/2	21.3
48	10.00	9.60	B	4 3/4	3	39.5	8.333	8.000	B	4 1/8	2 1/2	24.3
50	10.40	10.00	B	4 3/4	3	43.6	8.666	8.333	B	4 1/4	2 1/2	25.8
52	10.80	10.40	B	4 3/4	3	46.7	9.000	8.666	B	4 1/4	2 1/2	27.9
54	11.20	10.80	B	4 3/4	3	49.3	9.333	9.000	B	4 3/8	2 1/2	30.4
55	11.40	11.00	B	4 3/4	3	52.0	9.500	9.166	B	4 3/8	2 1/2	31.8
58	12.00	11.60	B	4 3/4	3	56.1	10.000	9.666	B	4 3/8	2 1/2	33.9
60	12.40	12.00	B	4 3/4	3	60.9	10.333	10.000	B	4 3/8	2 3/4	34.3
64	13.20	12.80	B	4 3/4	3	70.5	11.000	10.666	B	4 3/8	2 3/4	42.2
66	13.60	13.20	B	4 3/4	3	73.8	11.333	11.000	B	4 3/8	2 3/4	50.0
70	14.40	14.00	B <sub>2</sub>	5	3	48.4						

# Steel Stock Spur Gears

Pressure Angle **14 1/2°**



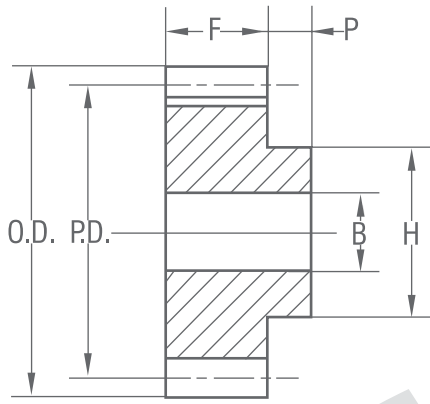
Type B



Z	8DP 1 1/4" Face						10DP 1" Face					
	Diameter		Type	Hubs		wt Lbs	Diameter		Type	Hubs		wt Lbs
	OD	PD		dm	F+P		OD	PD		dm	F+P	
11	1.750	1.500	B	1 1/8	2	0.5	1.400	1.200	B	15/16	15/8	0.3
12	1.750	1.500	B	1 1/8	2	0.5	1.400	1.200	B	15/16	15/8	0.3
13	1.875	1.625	B	1 1/4	2	0.7	1.500	1.300	B	1	15/8	0.3
14	2.000	1.750	B	1 3/8	2	0.9	1.600	1.400	B	1 1/8	15/8	0.4
15	2.125	1.875	B	1 1/2	2	0.9	1.700	1.500	B	1 7/32	15/8	0.5
16	2.250	2.000	B	1 5/8	2	1.1	1.800	1.600	B	1 5/16	15/8	0.6
17	2.375	2.125	B	1 3/4	2	1.3	1.900	1.700	B	1 3/8	15/8	0.6
18	2.500	2.250	B	1 7/8	2	1.6	2.00	1.800	B	1 17/32	15/8	0.8
19	2.625	2.375	B	2	2	1.8	2.100	1.900	B	1 9/16	15/8	0.9
20	2.750	2.500	B	2 1/8	2	2.0	2.200	2.000	B	1 23/32	15/8	1.0
21	2.875	2.625	B	2 1/4	2	2.3	2.300	2.100	B	1 3/4	15/8	1.2
22	3.000	2.750	B	2 3/8	2	2.6	2.400	2.200	B	1 7/8	15/8	1.3
24	3.250	3.000	B	2 5/8	2 1/4	3.6	2.600	2.400	B	2 1/8	15/8	1.6
25	3.375	3.125	B	2 5/8	2 1/4	3.8	2.700	2.500	B	2 1/8	15/8	1.8
26	3.500	3.250	B	2 5/8	2 1/4	3.9	2.800	2.600	B	2 1/8	15/8	1.9
28	3.750	3.500	B	2 5/8	2 1/4	4.4	3.000	2.800	B	2 1/8	1 7/8	2.3
30	4.000	3.750	B	2 3/4	2 1/4	5.1	3.200	3.000	B	2 1/8	1 7/8	2.6
32	4.250	4.000	B	2 7/8	2 1/4	5.6	3.400	3.200	B	2 1/8	1 7/8	2.9
35	4.625	4.375	B	3	2 1/4	6.2	3.700	3.500	B	2 1/4	1 7/8	3.4
36	4.750	4.500	B	3	2 1/4	7.0	3.8000	3.600	B	2 1/4	1 7/8	3.5
38	5.000	4.750	B	3	2 1/4	7.8	4.00	3.800	B	2 1/4	1 7/8	3.8
40	5.250	5.000	B	3	2 1/4	8.3	4.200	4.000	B	2 1/4	1 7/8	4.1
42	5.500	5.250	B	3	2 1/4	9.0	4.400	4.200	B	2 1/4	1 7/8	4.5
44	5.750	5.500	B	3	2 1/4	9.7	4.600	4.400	B	2 1/2	1 7/8	5.0
45	6.000	5.750	B	3	2 1/4	10.3	4.700	4.500	B	2 1/2	1 7/8	5.3
48	6.250	6.000	B	3	2 1/4	11.3	5.000	4.800	B	2 1/2	1 7/8	5.9
50							5.200	5.000	B	2 1/2	1 7/8	6.4
54							5.600	5.400	B	2 1/2	1 7/8	7.8
55							5.700	5.500	B	2 1/2	1 7/8	7.9
60							6.200	6.000	B	2 1/2	1 7/8	8.7

# Steel Stock Spur Gears

Pressure Angle **14 1/2°**



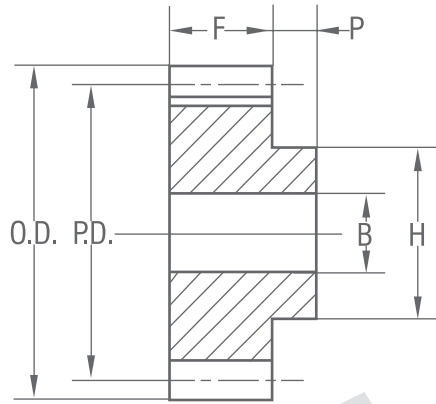
Type B



Z	12DP		3/4"Face		wt	16DP		1/2"Face		wt		
	Diameter		Type	Hubs		Diameter		Type	Hubs			
	OD	PD		dm		F+P	Lbs		OD		PD	dm
11	1.167	1.000	B	3/4	1 1/4	0.14	0.875	0.750	B	9/16	15/16	0.06
12	1.167	1.000	B	3/4	1 1/4	0.16	0.875	0.750	B	9/16	15/16	0.06
13	1.250	1.083	B	13/16	1 1/4	0.20	0.937	0.812	B	5/8	15/16	0.08
14	1.333	1.167	B	29/32	1 1/4	0.24	1.000	0.875	B	11/16	15/16	0.10
15	1.417	1.250	B	1	1 3/8	0.27	1.062	0.937	B	3/4	15/16	0.12
16	1.500	1.333	B	1 1/6	1 3/8	0.34	1.125	1.000	B	13/16	15/16	0.14
17	1.580	1.413	B	1 1/8	1 3/8	0.36	1.187	1.062	B	7/8	15/16	0.16
18	1.667	1.500	B	1 1/4	1 3/8	0.42	1.250	1.125	B	15/16	15/16	0.20
19	1.750	1.583	B	15/16	1 3/8	0.48	1.312	1.187	B	1	15/16	0.22
20	1.833	1.667	B	1 13/32	1 3/8	0.56	1.375	1.250	B	1 1/16	15/16	0.24
21	1.917	1.750	B	1 1/2	1 3/8	0.64	1.438	1.312	B	1 1/8	15/16	0.28
22	2.000	1.833	B	19/16	1 3/8	0.70	1.500	1.375	B	13/16	15/16	0.32
23	2.083	1.917	B	15/8	1 3/8	0.78	1.562	1.437	B	1 1/4	15/16	0.34
24	2.166	2.000	B	13/4	1 3/8	0.88	1.625	1.500	B	15/16	15/16	0.42
25	2.250	2.083	B	1 27/32	1 3/8	0.96	1.688	1.562	B	13/8	15/16	0.49
26	2.333	2.167	B	1 15/16	1 3/8	1.14	1.750	1.625	B	17/16	15/16	0.52
28	2.500	2.333	B	2 1/16	1 3/8	1.34	1.875	1.750	B	1 1/2	1	0.60
30	2.667	2.500	B	2 1/4	1 3/8	1.60	2.000	1.875	B	15/8	1	0.70
32	2.833	2.667	B	2 1/4	1 3/8	1.72	2.125	2.000	B	13/4	1	0.80
34	3.000	2.833	B	2 1/4	1 3/8	1.88	2.250	2.125	B	17/8	1	0.92
36	3.167	3.000	B	2 1/2	1 3/8	2.20	2.375	2.250	B	2	1	0.98
38	3.333	3.167	B	2 1/2	1 3/8	2.38	2.500	2.375	B	2	1	1.1
40	3.500	3.333	B	2 1/2	1 3/8	2.54	2.626	2.500	B	2	1	1.2
42	3.666	3.500	B	2 1/2	1 3/8	2.72	2.750	2.626	B	2	1	1.3
44	3.833	3.667	B	2 1/2	1 3/8	2.94	2.875	2.750	B	2	1	1.4
48	4.166	4.000	B	2 1/2	1 3/8	3.50	3.125	3.000	B	2	1	1.5
52	4.500	4.333	B	2 3/4	1 1/2	3.90	3.375	3.250	B	2	1	1.6
54	4.666	4.500	B	2 3/4	1 1/2	4.40	3.500	3.375	B	2	1	1.7
56	4.833	4.667	B	2 3/4	1 1/2	4.60	3.625	3.500	B	2	1	1.9
60	5.166	5.000	B	2 3/4	1 1/2	5.14	3.875	3.750	B	2	1	2.2
64	5.500	5.333	B	2 3/4	1 1/2	5.74	4.125	4.000	B	2	1 1/8	2.5
66	5.666	5.500	B	2 3/4	1 1/2	6.02	4.250	4.125	B	2 1/4	1 1/8	2.7
68	5.830	5.665	B	2 3/4	1 1/2	6.60	4.375	4.250	B	2 1/4	1 1/8	2.8
72	6.166	6.000	B	2 3/4	1 1/2	7.02	4.625	4.500	B	2 1/4	1 1/8	3.4
80							5.125	5.000	B	2 1/4	1 1/8	3.6
84							5.375	5.250	B	2 1/4	1 1/8	3.9
88							5.625	5.500	B	2 1/4	1 1/8	4.6

# Steel Stock Spur Gears

Pressure Angle **14 1/2°**



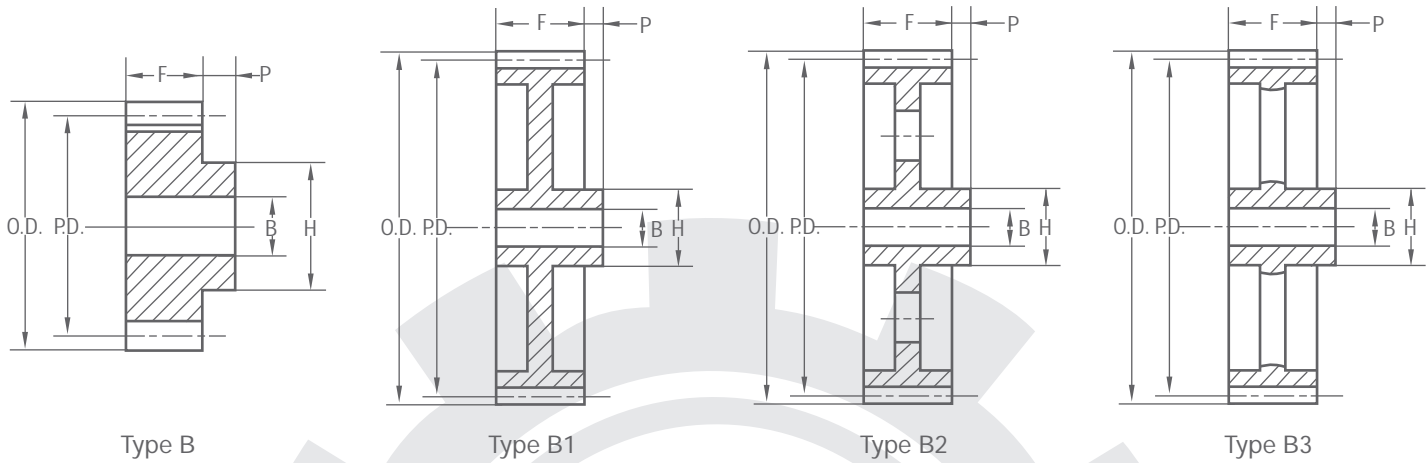
Type B



Z	20DP 3/8"Face						24DP 1/2"Face					
	Diameter		Type	Hubs		wt	Diameter		Type	Hubs		wt
	OD	PD		dm	F+P		Lbs	OD		PD	dm	
11	0.70	0.60	B	15/32	3/4	0.02	0.583	0.500	B	3/8	9/16	0.02
12	0.70	0.60	B	15/32	3/4	0.02	0.583	0.500	B	3/8	9/16	0.02
13	0.75	0.65	B	1/2	3/4	0.04	0.625	0.542	B	7/16	9/16	0.03
14	0.80	0.70	B	35/64	3/4	0.04	0.666	0.583	B	15/32	9/16	0.04
15	0.85	0.75	B	39/64	3/4	0.04	0.708	0.625	B	1/2	9/16	0.04
16	0.90	0.80	B	21/32	3/4	0.04	0.750	0.666	B	35/64	9/16	0.04
17	0.95	0.85	B	45/64	3/4	0.08	0.791	0.709	B	9/16	9/16	0.04
18	1.00	0.90	B	3/4	3/4	0.08	0.833	0.750	B	5/8	9/16	0.04
19	1.05	0.95	B	51/64	3/4	0.10	0.875	0.791	B	5/8	9/16	0.06
20	1.10	1.00	B	55/64	3/4	0.12	0.917	0.833	B	23/32	9/16	0.06
21	1.15	1.05	B	7/8	3/4	0.12	0.959	0.875	B	3/4	9/16	0.06
22	1.20	1.10	B	31/32	3/4	0.14	1.000	0.917	B	3/4	9/16	0.06
23	1.25	1.15	B	31/32	3/4	0.16	1.042	0.959	B	13/16	5/8	0.08
24	1.30	1.20	B	11/16	3/4	0.19	1.083	1.000	B	7/8	5/8	0.10
25	1.35	1.25	B	17/64	3/4	0.20	1.125	1.042	B	7/8	5/8	0.10
26	1.40	1.30	B	117/64	3/4	0.22	1.166	1.083	B	7/8	5/8	0.10
27	1.45	1.35	B	11/4	3/4	0.24	1.208	1.125	B	7/8	5/8	0.12
28	1.50	1.40	B	117/64	3/4	0.26	1.250	1.166	B	1	5/8	0.14
30	1.60	1.50	B	123/64	3/4	0.30	1.333	1.250	B	1	5/8	0.16
32	1.70	1.60	B	17/16	7/8	0.40	1.416	1.333	B	11/8	5/8	0.18
33	1.75	1.65	B	15/8	7/8	0.45	1.458	1.375	B	11/8	5/8	0.20
35	1.85	1.75	B	19/16	7/8	0.50	1.541	1.458	B	11/8	5/8	0.20
36	1.90	1.80	B	15/8	7/8	0.52	1.583	1.500	B	11/8	5/8	0.20
40	2.10	2.00	B	113/16	7/8	0.64	1.750	1.666	B	11/8	5/8	0.24
42	2.20	2.10	B	2	7/8	0.70	1.833	1.750	B	11/4	5/8	0.28
44	2.30	2.20	B	2	7/8	0.73	1.917	1.833	B	1 1/4	5/8	0.30
45	2.35	2.25	B	2	7/8	0.82	1.959	1.875	B	11/4	5/8	0.30
48	2.50	2.40	B	2	7/8	0.88	2.083	2.000	B	11/4	5/8	0.32
50	2.60	2.50	B	2	7/8	0.90	2.166	2.083	B	11/4	5/8	0.35
54	2.80	2.70	B	2	7/8	0.95	2.333	2.250	B	11/4	5/8	0.38
55	2.85	2.75	B	2	7/8	1.04	2.374	2.291	B	11/4	5/8	0.39
56	2.90	2.80	B	2	7/8	1.10	2.416	2.333	B	11/4	5/8	0.40
60	3.10	3.00	B	2	7/8	1.16	2.583	2.500	B	11/4	5/8	0.46
64	3.30	3.20	B	2	7/8	1.26	2.749	2.666	B	11/4	5/8	0.49
66	3.40	3.30	B	2	7/8	1.32	2.833	2.750	B	11/4	5/8	0.52
70	3.60	3.50	B	2	7/8	1.40	3.000	2.917	B	13/8	3/4	0.58
72	3.70	3.60	B	21/4	7/8	1.60	3.083	3.000	B	13/8	3/4	0.64
80	4.10	4.00	B	21/4	7/8	1.82						

# Cast Iron Stock Spur Gears

Pressure Angle **14 1/2°**

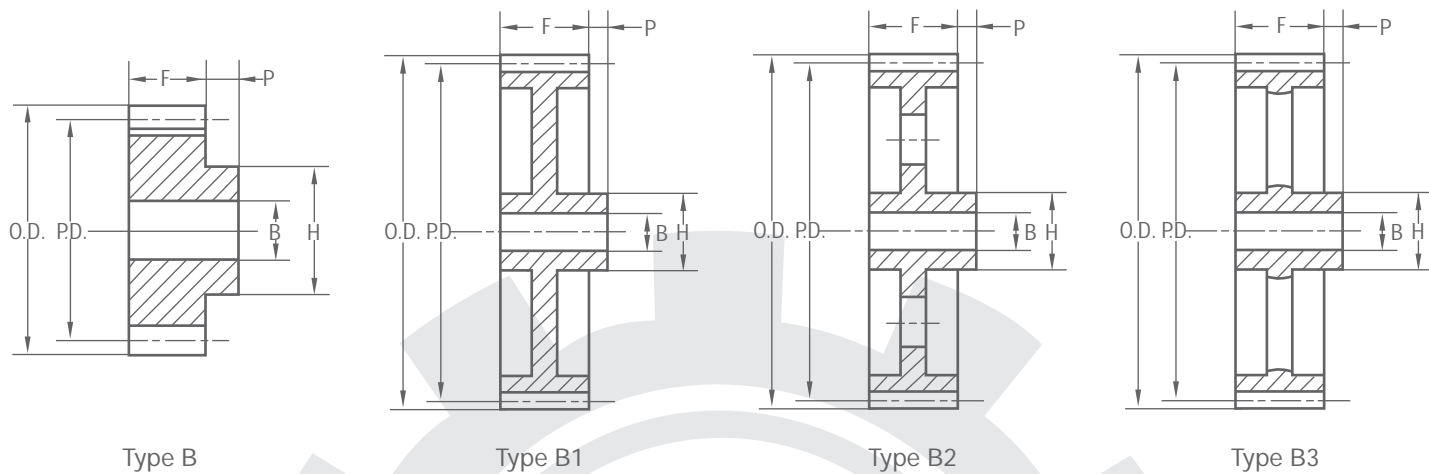


Z	3DP 3"Face					4DP 2"Face						
	Diameter		Type	Hubs		wt Lbs	Diameter		Type	Hubs		wt Lbs
	OD	PD		dm	F+P		OD	PD		dm	F+P	
24	8.666	8.000	B	4 1/2	4 1/4	40.4	6.50	6.00	B	3 1/2	3 1/2	17.0
28	10.000	9.333	B	5 1/4	4 1/4	54.2	7.50	7.00	B <sub>1</sub>	3 1/2	3 1/2	20.2
30	10.666	10.000	B	5 1/4	4 1/4	57.1	8.00	7.50	B <sub>1</sub>	3 1/2	3 1/2	21.1
32	11.333	10.667	B	5 1/4	4 1/4	62.4	8.50	8.00	B <sub>1</sub>	3 1/2	3 1/2	23.2
36	12.666	12.000	B <sub>2</sub>	5 1/2	4 3/4	71.3	9.50	9.00	B <sub>2</sub>	3 3/4	3 1/2	30.5
40	14.000	13.333	B <sub>2</sub>	5 1/2	4 3/4	75.9	10.50	10.00	B <sub>2</sub>	4	3 1/2	26.4
42	14.666	14.000	B <sub>2</sub>	5 1/2	4 3/4	79.5	11.00	10.50	B <sub>2</sub>	4	3 1/2	32.3
44	15.333	14.666	B <sub>2</sub>	5 1/2	4 3/4	82.0	11.50	11.00	B <sub>2</sub>	4	3 1/2	33.9
45	15.666	15.000	B <sub>2</sub>	5 1/2	4 3/4	85.0	11.75	11.25	B <sub>3</sub>	4	3 1/2	36.5
48	16.666	16.000	B <sub>3</sub>	5 1/2	4 3/4	92.9	12.50	12.00	B <sub>3</sub>	4	3 1/2	38.4
52	18.000	17.333	B <sub>3</sub>	5 1/2	4 3/4	95.6	13.50	13.00	B <sub>3</sub>	4	3 1/2	42.5
54	18.666	18.000	B <sub>3</sub>	5 1/2	4 3/4	104	14.00	13.50	B <sub>3</sub>	4	3 1/2	44.7
56	19.333	18.666	B <sub>3</sub>	5 1/2	4 3/4	108	14.50	14.00	B <sub>3</sub>	4	3 1/2	46.7
60	20.666	20.000	B <sub>3</sub>	5 1/2	4 3/4	115	15.50	15.00	B <sub>3</sub>	4	3 1/2	49.5
64	22.000	21.333	B <sub>3</sub>	6	4 3/4	125	16.50	16.00	B <sub>3</sub>	4	3 1/2	54.5
68	23.333	22.666	B <sub>3</sub>	6	4 3/4	145	17.50	17.00	B <sub>3</sub>	4	3 1/2	56.0
72	24.666	24.000	B <sub>3</sub>	6	4 3/4	153	18.50	18.00	B <sub>3</sub>	4 1/2	3 1/2	63.0
75	25.666	25.000	B <sub>3</sub>	6	4 3/4	155	18.75	18.75	B <sub>3</sub>	4 1/2	3 1/2	68.5
80	27.333	26.666	B <sub>3</sub>	6	4 3/4	169	20.50	20.00	B <sub>3</sub>	4 1/2	3 1/2	72.0
84	28.666	28.000	B <sub>3</sub>	6	4 3/4	178	21.50	21.00	B <sub>3</sub>	4 1/2	3 1/2	73.0
88	30.000	29.333	B <sub>3</sub>	6	4 3/4	181	22.50	22.00	B <sub>3</sub>	4 1/2	3 3/4	75.0
90	30.666	30.000	B <sub>3</sub>	6	4 3/4	185	23.00	22.50	B <sub>3</sub>	4 1/2	3 3/4	81.0
96	32.666	32.000	B <sub>3</sub>	6	4 3/4	205	24.50	24.0	B <sub>3</sub>	4 1/2	3 3/4	86.0
100	34.000	33.333	B <sub>3</sub>	6	4 3/4	209	25.50	25.00	B <sub>3</sub>	4 1/2	3 3/4	91.0
104	35.333	34.666	B <sub>3</sub>	6	4 3/4	212	26.50	26.00	B <sub>3</sub>	4 1/2	3 3/4	105
105	35.666	35.000	B <sub>3</sub>	6	4 3/4	216	26.75	26.25	B <sub>3</sub>	4 1/2	3 3/4	106
108	36.666	36.000	B <sub>3</sub>	6	4 3/4	228	27.50	27.0	B <sub>3</sub>	5	3 3/4	107
112	38.000	37.333	B <sub>3</sub>	6 1/2	4 3/4	242	28.50	28.00	B <sub>3</sub>	5	3 3/4	108
120	40.000	40.666	B <sub>3</sub>	6 1/2	4 3/4	256	30.50	30.00	B <sub>3</sub>	5	3 3/4	115
132							33.50	33.00	B <sub>3</sub>	5	3 3/4	129
144							36.50	36.00	B <sub>3</sub>	5 1/2	3 3/4	140



# Cast Iron Stock Spur Gears

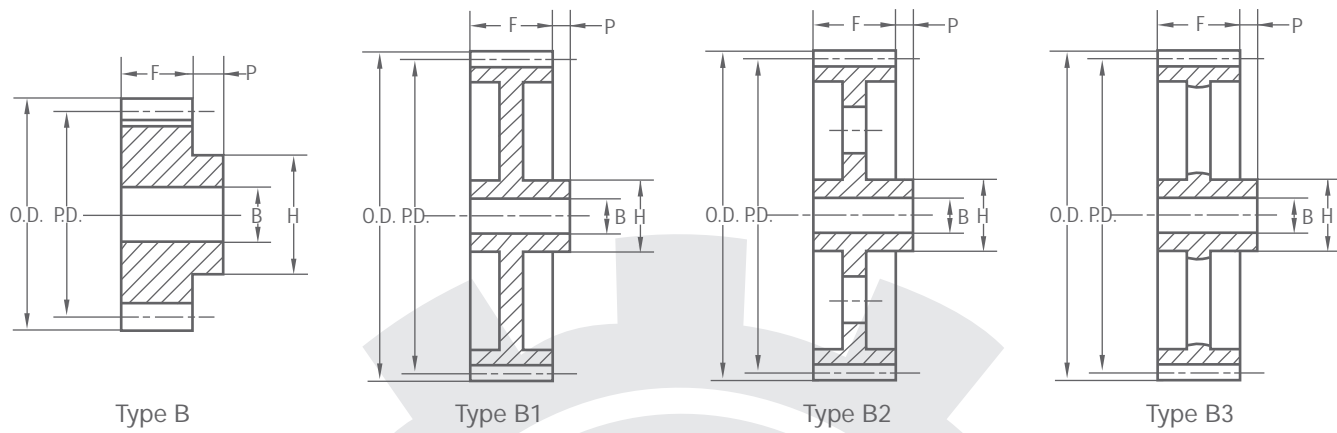
Pressure Angle **14 1/2°**



Z	5DP 1 3/4" Face						6DP 1 1/2" Face					
	Diameter		Type	Hubs		wt Lbs	Diameter		Type	Hubs		wt Lbs
	OD	PD		dm	F + P		OD	PD		dm	F + P	
24	5.20	4.80	B	3 1/4	3	9.9						
25	5.40	5.00	B	3 1/4	3	10.6						
28	6.00	5.60	B1	3 1/4	3	12.1						
30	6.40	6.00	B1	3 1/4	3	13.9	5.333	5.000	B1	2 1/2	2 1/2	6.6
32	6.80	6.40	B1	3 1/4	3	15.5	5.666	5.333	B1	2 1/2	2 1/2	7.2
35	7.40	7.00	B1	3 1/4	3	16.9	6.166	5.833	B1	2 1/2	2 1/2	8.1
36	7.60	7.20	B1	3 1/4	3	15.5	6.333	6.000	B1	2 1/2	2 1/2	9.5
40	8.40	8.00	B1	3 1/4	3	17.4	7.000	6.666	B1	3	2 1/2	11.9
42	8.80	8.40	B2	3 1/4	3	19.0	7.333	7.000	B1	3	2 1/2	13.0
45	9.40	9.00	B2	3 1/4	3	20.3	7.833	7.500	B2	3	2 1/2	12.0
48	10.00	9.60	B2	3 3/4	3	25.2	8.333	8.000	B3	3	2 1/2	12.1
50	10.40	10.00	B3	3 3/4	3	23.7	8.666	8.333	B3	3 1/4	2 1/2	13.6
54	11.20	10.80	B3	3 3/4	3	25.1	9.333	9.000	B3	3 1/4	2 1/2	14.4
55	11.40	11.00	B3	3 3/4	3	26.0	9.500	9.166	B3	3 1/4	2 1/2	15.6
58	12.00	11.60	B3	3 3/4	3	28.5	10.000	9.666	B3	3 1/4	2 1/2	16.6
60	12.40	12.00	B3	3 3/4	3	30.6	10.333	10.000	B3	3 1/4	2 3/4	17.0
64	13.20	12.80	B3	3 3/4	3	31.2	11.000	10.666	B3	3 1/4	2 3/4	18.5
66	13.60	13.20	B3	3 3/4	3	32.8	11.333	11.000	B3	3 1/4	2 3/4	19.0
70	14.40	14.00	B3	4	3	34.5	12.000	11.666	B3	3 1/4	2 3/4	20.6
72	14.80	14.40	B3	4	3	35.0	12.333	12.000	B3	3 1/2	2 3/4	23.7
75	15.40	15.00	B3	4	3	36.7	12.833	12.500	B3	3 1/2	2 3/4	25.4
80	16.40	16.00	B3	4	3	40.8	13.666	13.333	B3	3 1/2	2 3/4	25.8
84	17.20	16.80	B3	4	3	42.0	14.333	14.000	B3	3 1/2	2 3/4	26.0
90	18.40	18.00	B3	4	3	45.4	15.333	15.000	B3	3 1/2	2 3/4	26.8
96	19.60	19.20	B3	4	3	48.6	16.333	16.000	B3	3 1/2	2 3/4	28.0
100	20.40	20.00	B3	4 1/2	3 1/4	54.4	17.000	16.666	B3	3 1/2	2 3/4	30.2
108	22.00	21.60	B3	4 1/2	3 1/4	55.0	18.333	18.000	B3	3 3/4	2 3/4	32.0
120	24.40	24.00	B3	4 3/4	3 1/4	56.1	20.333	20.000	B3	3 3/4	3	34.8
126	25.60	25.20	B3	4 3/4	3 1/4	63.5	21.333	21.000	B3	3 3/4	3	39.1
130	26.40	26.00	B3	4 3/4	3 1/4	70.2	22.000	21.666	B3	3 3/4	3	41.6
132							22.333	22.000	B3	3 3/4	3	43.4
144							24.333	24.000	B3	4	3	45.2
180							30.333	30.000	B3	4	3	58.3

# Cast Iron Stock Spur Gears

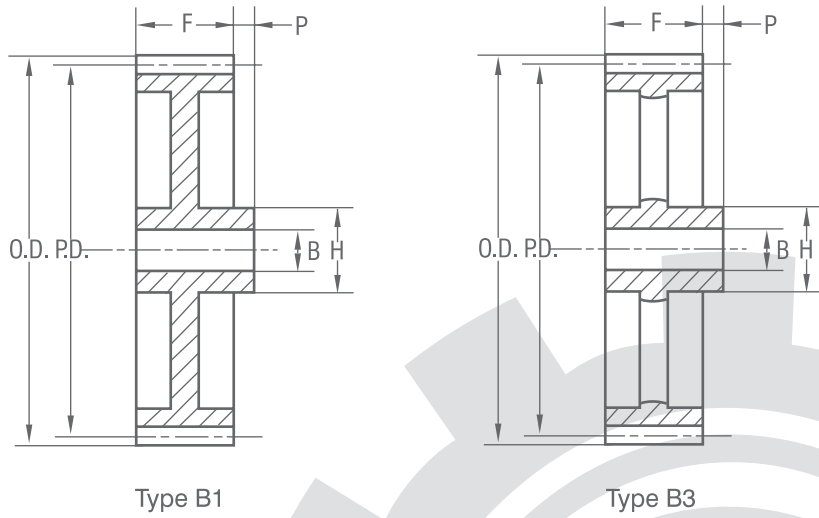
Pressure Angle **14 1/2°**



Z	8DP 1 1/4" Face						10DP 1" Face					
	Diameter		Type	Hubs		wt Lbs	Diameter		Type	Hubs		wt Lbs
	OD	PD		dm	F + P		OD	PD		dm	F + P	
24	3.250	3.000	B	2 1/8	2 1/4	2.7						
28	3.750	3.500	B	2 1/4	2 1/4	3.7	3.000	2.800	B	1 3/4	1 7/8	1.9
30	4.000	3.750	B	2 1/4	2 1/4	4.1						
32	4.250	4.000	B <sub>1</sub>	2 1/4	2 1/4	3.8						
36	4.750	4.500	B <sub>1</sub>	2 1/2	2 1/4	4.5	3.800	3.600	B <sub>1</sub>	2 1/8	1 7/8	2.8
40	5.250	5.000	B <sub>1</sub>	2 1/2	2 1/4	5.1						
42	5.500	5.250	B <sub>1</sub>	2 1/2	2 1/4	5.5						
44	5.750	5.500	B <sub>1</sub>	2 1/2	2 1/4	6.0						
52	6.750	6.500	B <sub>1</sub>	2 3/4	2 1/4	10.3						
54	7.000	6.750	B <sub>2</sub>	2 3/4	2 1/4	8.1						
56	7.250	7.000	B <sub>3</sub>	2 3/4	2 1/4	8.2						
60	7.750	7.500	B <sub>3</sub>	2 3/4	2 1/4	8.8	6.20	6.00	B <sub>3</sub>	2 1/8	1 7/8	4.3
64	8.250	8.000	B <sub>3</sub>	2 3/4	2 1/4	11.2	6.60	6.40	B <sub>3</sub>	2 1/2	1 7/8	5.6
65	8.375	8.125	B <sub>3</sub>	2 3/4	2 1/4	11.3	6.70	6.50	B <sub>3</sub>	2 1/2	1 7/8	5.6
68	8.750	8.500	B <sub>3</sub>	3	2 1/4	11.5	7.00	6.80	B <sub>3</sub>	2 1/2	1 7/8	5.8
70	9.000	8.750	B <sub>3</sub>	3	2 1/4	11.6	7.20	7.00	B <sub>3</sub>	2 1/2	1 7/8	5.9
72	9.250	9.000	B <sub>3</sub>	3	2 1/4	11.7	7.40	7.20	B <sub>3</sub>	2 1/2	1 7/8	6.3
75	9.625	9.375	B <sub>3</sub>	3	2 1/4	11.9	7.70	7.50	B <sub>3</sub>	2 1/2	1 7/8	6.7
76	9.750	9.500	B <sub>3</sub>	3	2 1/4	12.0	7.80	7.60	B <sub>3</sub>	2 1/2	1 7/8	6.7
80	10.250	10.000	B <sub>3</sub>	3	2 3/8	12.2	8.20	8.00	B <sub>3</sub>	2 1/2	1 7/8	6.7
84	10.750	10.500	B <sub>3</sub>	3	2 3/8	13.2	8.60	8.40	B <sub>3</sub>	2 1/2	1 7/8	7.0
85	10.875	10.625	B <sub>3</sub>	3	2 3/8	13.3	8.70	8.50	B <sub>3</sub>	2 1/2	1 7/8	7.3
88	11.250	11.000	B <sub>3</sub>	3	2 3/8	13.5	9.00	8.80	B <sub>3</sub>	2 1/2	1 7/8	7.3
90	11.500	11.250	B <sub>3</sub>	3	2 3/8	14.2	9.20	9.00	B <sub>3</sub>	2 1/2	1 7/8	7.6
92	11.750	11.500	B <sub>3</sub>	3 1/4	2 3/8	15.0	9.40	9.20	B <sub>3</sub>	2 1/2	1 7/8	7.5
95	12.125	11.875	B <sub>3</sub>	3 1/4	2 3/8	15.5	9.70	9.50	B <sub>3</sub>	2 1/2	1 7/8	8.1
96	12.250	12.000	B <sub>3</sub>	3 1/4	2 3/8	15.8	9.80	9.60	B <sub>3</sub>	2 1/2	1 7/8	8.1
100	12.750	12.500	B <sub>3</sub>	3 1/4	2 3/8	16.5	10.20	10.00	B <sub>3</sub>	2 1/2	2	10.3
112	14.250	14.000	B <sub>3</sub>	3 1/4	2 3/8	17.7	11.40	11.20	B <sub>3</sub>	2 3/4	2	10.3
120	15.250	15.000	B <sub>3</sub>	3 1/4	2 3/8	18.4	12.20	12.00	B <sub>3</sub>	2 3/4	2	10.4
128	16.250	16.000	B <sub>3</sub>	3 1/2	2 3/8	21.3	13.00	12.80	B <sub>3</sub>	2 3/4	2	11.5
130	16.500	16.250	B <sub>3</sub>	3 1/2	2 3/8	22.0	13.20	13.00	B <sub>3</sub>	2 3/4	2	11.9
140	17.750	17.500	B <sub>3</sub>	3 1/2	2 3/8	23.5	14.20	14.00	B <sub>3</sub>	2 3/4	2	12.8
144	18.250	18.000	B <sub>3</sub>	3 1/2	2 3/8	24.2	14.60	14.40	B <sub>3</sub>	2 3/4	2	13.4
150	19.000	18.750	B <sub>3</sub>	3 3/4	2 1/2	25.5	15.20	15.00	B <sub>3</sub>	2 3/4	2	13.4
160	20.250	20.000	B <sub>3</sub>	3 3/4	2 1/2	26.6	16.20	16.00	B <sub>3</sub>	2 3/4	2	14.4
168	21.250	21.000	B <sub>3</sub>	3 3/4	2 1/2	28.9						

# Cast Iron Stock Spur Gears

Pressure Angle **14 1/2°**



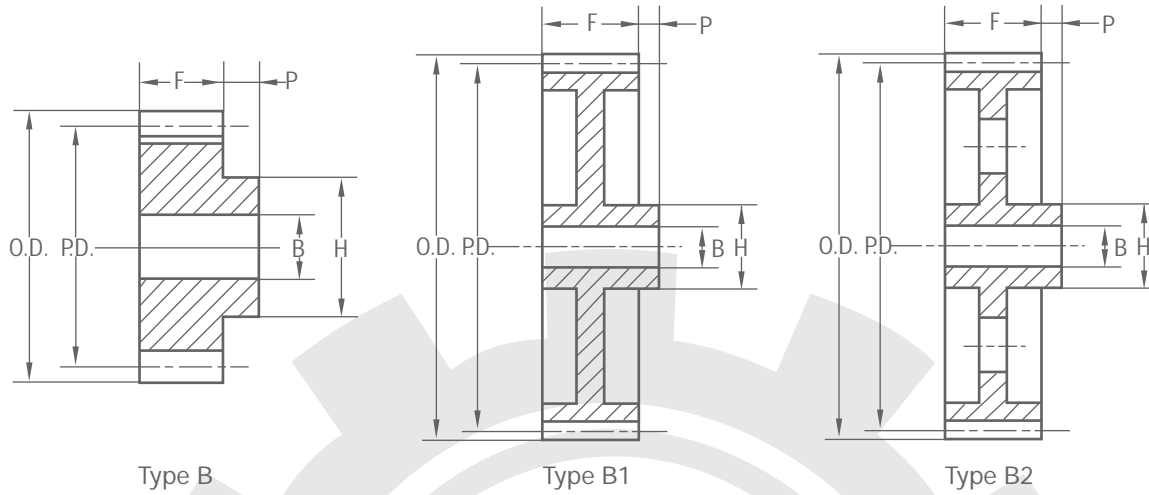
Z	12DP 3/4"Face					16DP 1/2"Face						
	Diameter		Type	Hubs		wt Lbs	Diameter		Type	Hubs		wt Lbs
	OD	PD		dm	F+P		OD	PD		dm	F+P	
78	6.666	6.500	B3	2 1/2	1 1/2	4.1						
84	7.166	7.000	B3	2 1/2	1 1/2	4.4						
90	7.666	7.500	B3	2 3/4	1 1/2	5.2						
96	8.166	8.000	B3	2 3/4	1 1/2	5.5						
102	8.666	8.500	B3	2 3/4	1 1/2	5.6						
108	9.166	9.000	B3	2 3/4	1 1/2	6.2						
112	9.500	9.333	B3	2 3/4	1 1/2	6.4	7.125	7.000	B3	2 1/2	1 1/8	3.4
114	9.666	9.500	B3	2 3/4	1 1/2	6.7	7.250	7.125	B3	2 1/2	1 1/8	3.4
120	10.166	10.000	B3	2 3/4	1 1/2	7.4	7.625	7.500	B3	2 1/2	1 1/8	3.5
126	10.666	10.500	B3	3	1 1/2	8.1	8.000	7.875	B3	2 1/2	1 1/8	3.6
128	10.833	10.666	B3	3	1 3/4	9.0	8.125	8.000	B3	2 1/2	1 1/8	3.7
144	12.166	12.000	B3	3	1 3/4	10.1	9.125	9.000	B3	2 3/4	1 1/4	5.0
160	13.500	13.333	B3	3	1 3/4	10.4	10.125	10.000	B3	2 3/4	1 1/4	5.2
168	14.166	14.000	B3	3	1 3/4	10.6	10.625	10.500	B3	2 3/4	1 1/4	7.5
192							12.125	12.000	B3	2 3/4	1 1/4	8.1

Z	20DP 3/8"Face					
	Diameter		Type	Hubs		wt Lbs
	OD	PD		dm	F+P	
48	2.50	2.40	B1	1 1/8	7/8	0.50
64	3.30	3.20	B1	1 1/8	7/8	0.68
140	7.10	7.00	B3	1 3/4	7/8	2.00
150	7.60	7.50	B3	1 3/4	7/8	1.90
156	7.90	7.80	B3	1 3/4	7/8	2.12
160	8.10	8.00	B3	1 3/4	1	2.34
180	9.10	9.00	B3	1 3/4	1	2.66
200	10.10	10.00	B3	1 3/4	1	2.84



# Steel Stock Spur Gears

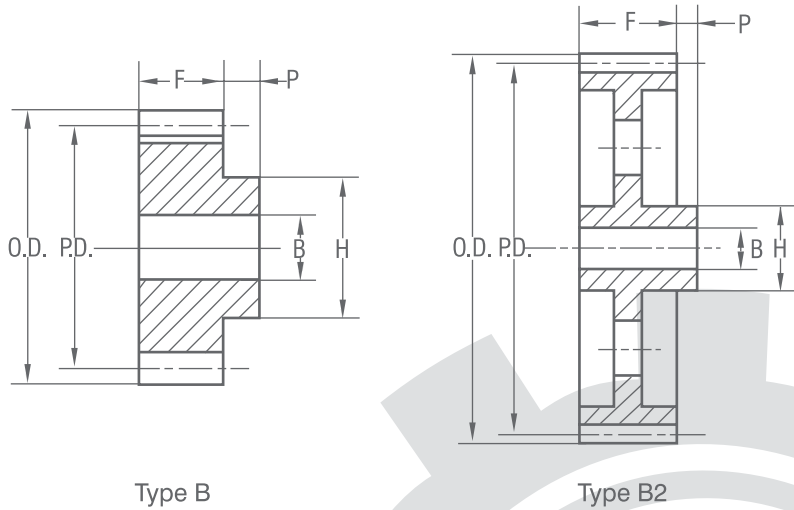
Pressure Angle **20°**



Z	4DP 3 1/2" Face					5DP 2 1/2" Face						
	Diameter		Type	Hubs		wt Lbs	Diameter		Type	Hubs		wt Lbs
	OD	PD		dm	F+P		OD	PD		dm	F+P	
12	3.500	3.000	B	217/64	43/8	6.8	2.80	2.40	B	125/32	33/8	2.9
14	4.000	3.500	B	249/64	43/8	9.8	3.20	2.80	B	23/16	33/8	4.3
15	4.250	3.750	B	31/64	43/8	11.5	3.40	3.00	B	23/8	33/8	5.2
16	4.500	4.000	B	317/64	43/8	13.3	3.60	3.20	B	219/32	33/8	6.1
18	5.000	4.500	B	349/64	43/8	17.3	4.00	3.60	B	3	33/8	8.0
20	5.500	5.000	B	417/64	43/8	21.8	4.40	4.00	B	33/8	33/8	10.2
22	6.000	5.500	B	449/64	43/8	26.7	4.80	4.40	B	33/4	33/4	13.8
24	6.500	6.000	B	5	43/4	33.7	5.20	4.80	B	33/4	33/4	15.7
25	6.750	6.250	B	5	43/4	39.5	5.40	5.00	B	33/4	33/4	20.3
28	7.500	7.000	B	5	43/4	43.8	6.00	5.60	B	33/4	33/4	22.9
30	8.000	7.500	B	5	43/4	49.4	6.40	6.00	B	33/4	33/4	23.9
32	8.500	8.000	B	5	5	56.8	6.80	6.40	B	33/4	33/4	25.6
35	9.250	8.750	B	5	5	65.1	7.40	7.00	B	33/4	33/4	29.9
36	9.500	9.000	B	5	5	70.0	7.60	7.20	B	33/4	33/4	35.0
40	10.500	10.000	B	51/8	5	85.2	8.40	8.00	B	33/4	33/4	38.2
44	11.500	11.000	B	51/8	5	101.6	9.20	8.80	B	33/4	33/4	43.5
45	11.750	11.250	B	51/8	5	108.7	9.40	9.00	B	33/4	33/4	47.7
48	12.500	12.000	B	51/8	5	119.5	10.00	9.60	B	33/4	33/4	55.1
50	13.000	12.500	B	51/8	5	125.6	10.40	10.00	B	45/8	33/4	60.3
56	14.500	14.000	B <sub>1</sub>	51/2	5	96.9	11.60	11.20	B	45/8	33/4	75.8
60	15.500	15.000	B <sub>2</sub>	51/2	5	88.1	12.40	12.00	B	45/8	33/4	84.7
64	16.500	16.000	B <sub>2</sub>	51/2	5	86.9	13.20	12.80	B <sub>2</sub>	5	33/4	49.8
70	18.000	17.500	B <sub>2</sub>	51/2	5	86.4	14.40	14.00	B <sub>2</sub>	5	33/4	51.6
72	18.500	18.000	B <sub>2</sub>	51/2	5	86.5	14.80	14.40	B <sub>2</sub>	5	33/4	53.7
80	20.500	20.000	B <sub>2</sub>	51/2	5	90.9	16.40	16.00	B <sub>2</sub>	5	33/4	55.8
90							18.40	18.00	B <sub>2</sub>	5	33/4	59.7
100							20.40	20.00	B <sub>2</sub>	51/2	4	69.2
110							22.40	22.00	B <sub>2</sub>	51/2	4	72.3
120							24.40	24.00	B <sub>2</sub>	6	4	80.2

# Steel Stock Spur Gears

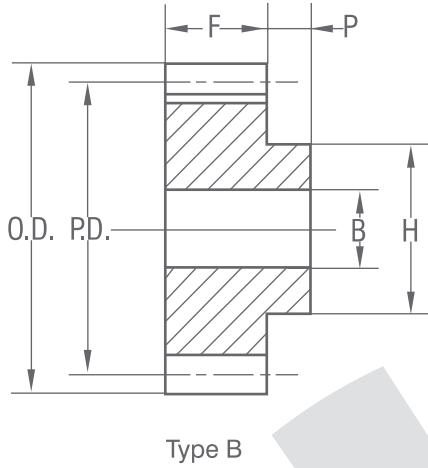
Pressure Angle **20°**



Z	6DP 2"Face						8DP 1 1/2"Face					
	Diameter		Type	Hubs		wt	Diameter		Type	Hubs		wt
	OD	PD		dm	F+P		Lbs	OD		PD	dm	
11	2.333	2.000	B	1 1/2	27/8	1.6	1.750	1.500	B	11/16	21/4	0.7
12	2.333	2.000	B	1 1/2	27/8	1.6	1.750	1.500	B	11/8	21/4	1.2
14	2.666	2.333	B	1 13/16	27/8	2.4	2.000	1.750	B	15/16	21/4	1.2
15	2.833	2.500	B	2	27/8	2.9	2.125	1.875	B	17/16	21/4	1.4
16	3.000	2.666	B	2 1/8	27/8	3.4	2.250	2.000	B	19/16	23/8	1.9
18	3.333	3.000	B	2 1/2	27/8	4.6	2.500	2.250	B	1 13/16	23/8	2.3
19	3.500	3.167	B	2 5/8	27/8	5.1	2.625	2.375	B	2	23/8	2.5
20	3.666	3.333	B	2 3/4	27/8	5.9	2.750	2.500	B	2 1/16	23/8	3.2
21	3.833	3.500	B	3	27/8	6.6	2.875	2.625	B	2 5/16	23/8	3.6
22	4.000	3.666	B	3	27/8	7.5	3.000	2.750	B	2 5/16	23/8	3.9
24	4.333	4.000	B	3	27/8	8.1	3.250	3.000	B	2 9/16	23/8	4.6
26	4.666	4.333	B	3 1/2	27/8	9.5	3.500	3.250	B	2 3/4	23/8	5.2
27	4.833	4.500	B	3 1/2	27/8	10.6	3.625	3.375	B	2 3/4	23/8	5.4
28	5.000	4.666	B	3 1/2	27/8	12.0	3.750	3.500	B	2 3/4	23/8	5.6
30	5.333	5.000	B	4	27/8	13.4	4.000	3.750	B	2 3/4	23/8	6.6
32	5.666	5.333	B	4	27/8	15.5	4.250	4.000	B	3 1/4	23/8	8.6
33	5.833	5.500	B	4	3 1/2	17.8	4.375	4.125	B	3 1/2	23/8	9.4
36	6.333	6.000	B	4	3 1/2	20.4	4.750	4.500	B	3 1/2	23/8	10.2
40	7.000	6.666	B	4	3 1/2	22.5	5.250	5.000	B	3 1/2	23/8	11.4
42	7.333	7.000	B	4	3 1/2	26.2	5.500	5.250	B	3 1/2	2 1/2	12.3
44	7.666	7.333	B	4	3 1/2	29.5	5.750	5.500	B	3 1/2	2 1/2	13.5
48	8.333	8.000	B	4	3 1/2	32.8	6.250	6.000	B	3 1/2	2 1/2	14.2
54	9.333	9.000	B	4	3 1/2	40.4						
60	10.333	10.000	B	4 5/8	3 1/2	50.0						
64	11.000	10.666	B	4 5/8	3 1/2	56.5						
66	11.333	11.000	B	4 5/8	3 1/2	59.8						
72	12.333	12.000	B	4 5/8	3 1/2	70.0						
84	14.333	14.000	B2	5	3 1/2	42.8						
96	16.333	16.000	B2	5	3 1/2	46.0						
108	18.333	18.000	B2	5	3 1/2	48.8						
120	20.333	20.000	B2	5	3 1/2	51.3						

# Steel Stock Spur Gears

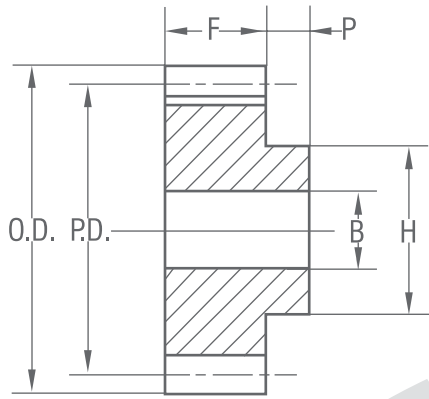
Pressure Angle **20°**



Z	10DP 3 1/4" Face						12DP 1" Face					
	Diameter		Type	Hubs		wt Lbs	Diameter		Type	Hubs		wt Lbs
	OD	PD		dm	F+P		OD	PD		dm	F+P	
12	1.40	1.20	B	29/32	17/8	0.4	1.167	1.000	B	3/4	15/8	0.21
13	1.50	1.30	B	1	17/8	0.5	1.250	1.083	B	13/16	15/8	0.21
14	1.60	1.40	B	17/64	17/8	0.6	1.333	1.167	B	29/32	15/8	0.28
15	1.70	1.50	B	17/32	17/8	0.7	1.417	1.250	B	63/64	15/8	0.34
16	1.80	1.60	B	15/16	17/8	0.8	1.500	1.333	B	11/16	15/8	0.41
18	2.00	1.80	B	111/32	17/8	0.9	1.667	1.500	B	1 1/4	15/8	0.51
19	2.10	1.90	B	19/16	17/8	1.1	1.750	1.583	B	15/16	15/8	0.59
20	2.20	2.00	B	139/64	17/8	1.2	1.833	1.667	B	15/16	15/8	0.65
21	2.30	2.10	B	13/4	17/8	1.3	1.917	1.750	B	125/64	15/8	0.75
22	2.40	2.20	B	113/16	17/8	1.5	2.000	1.833	B	19/16	15/8	0.88
24	2.60	2.40	B	21/64	17/8	1.8	2.166	2.000	B	141/64	15/8	1.06
25	2.70	2.50	B	27/64	17/8	2.0	2.250	2.083	B	113/16	15/8	1.22
26	2.80	2.60	B	21/8	17/8	2.2	2.333	2.167	B	17/8	15/8	1.33
28	3.00	2.80	B	213/32	17/8	2.7	2.500	2.333	B	21/16	15/8	1.60
30	3.20	3.00	B	2 1/2	17/8	3.4	2.667	2.500	B	25/32	15/8	1.83
32	3.40	3.20	B	2 1/2	21/8	3.7	2.833	2.667	B	2 1/4	15/8	2.08
35	3.70	3.50	B	2 1/2	21/8	4.2	3.084	2.917	B	2 1/4	15/8	2.50
36	3.80	3.60	B	2 1/2	21/8	4.3	3.167	3.000	B	2 1/2	17/8	2.98
40	4.20	4.00	B	3 1/2	21/8	6.4	3.500	3.333	B	2 1/2	17/8	3.25
42	4.40	4.20	B	3 1/2	21/8	6.9	3.666	3.500	B	2 1/2	17/8	3.71
45	4.70	4.50	B	3 1/2	21/8	7.5	3.917	3.750	B	2 1/2	17/8	4.50
48	5.00	4.80	B	33/4	21/8	8.7	4.166	4.000	B	3	17/8	4.99
50	5.20	5.00	B	4	21/8	9.9	4.333	4.166	B	3 1/2	17/8	5.80
54	5.60	5.40	B	4	21/4	10.8	4.666	4.555	B	3 1/2	17/8	6.51
55	5.70	5.50	B	4	21/4	11.5	4.750	4.583	B	3 1/2	17/8	7.25
60	6.20	6.00	B	4	21/4	13.1	5.166	5.000	B	3 1/2	17/8	7.63
66							5.666	5.500	B	3 1/2	17/8	8.80
72							6.166	6.000	B	3 1/2	17/8	10.08

# Steel Stock Spur Gears

Pressure Angle **20°**



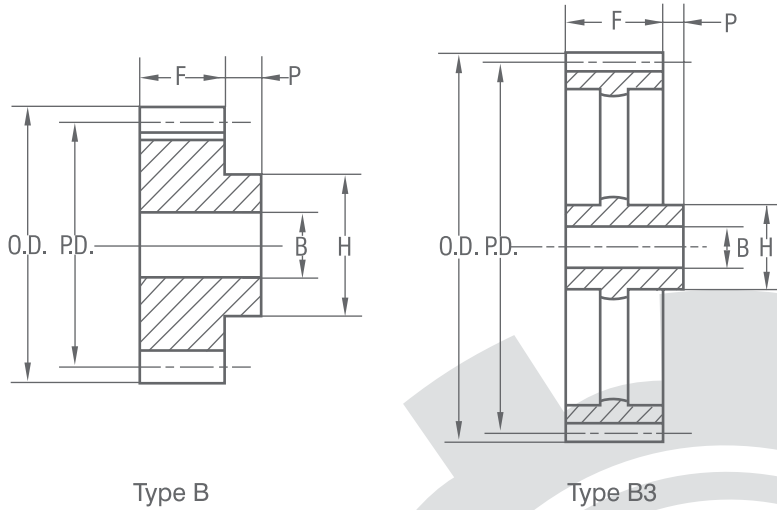
Type B



Z	16DP 3/4"Face						20DP 1/2"Face					
	Diameter		Type	Hubs		wt	Diameter		Type	Hubs		wt
	OD	PD		dm	F+P		Lbs	OD		PD	dm	
12	0.875	0.750	B	9/16	1 1/4	0.09	0.700	0.600	B	15/32	15/16	0.04
13	0.938	0.812	B	5/8	1 1/4	0.11	0.750	0.650	B	1/2	15/16	0.05
14	1.000	0.875	B	11/16	1 1/4	0.14	0.800	0.700	B	35/64	15/16	0.06
15	1.063	0.937	B	3/4	1 1/4	0.17	0.850	0.750	B	39/64	15/16	0.07
16	1.125	1.000	B	13/16	1 1/4	0.17	0.900	0.800	B	21/32	15/16	0.08
17	1.188	1.062	B	7/8	1 1/4	0.20	0.950	0.850	B	3/4	15/16	0.10
18	1.250	1.125	B	15/16	1 1/4	0.24	1.000	0.900	B	3/4	15/16	0.12
20	1.375	1.250	B	1 1/16	1 1/4	0.28	1.100	1.000	B	55/64	15/16	0.13
21	1.438	1.312	B	1 1/8	1 1/4	0.32	1.150	1.050	B	7/8	15/16	0.15
22	1.500	1.375	B	1 3/16	1 1/4	0.36	1.200	1.100	B	31/32	15/16	0.17
24	1.625	1.500	B	1 5/16	1 1/4	0.46	1.300	1.200	B	1 1/16	15/16	0.22
25	1.688	1.562	B	1 3/8	1 1/4	0.48	1.350	1.250	B	1 7/64	15/16	0.24
26	1.750	1.625	B	1 7/16	1 1/4	0.56	1.400	1.300	B	1 3/16	15/16	0.28
28	1.875	1.750	B	1 1/2	1 1/4	0.65	1.500	1.400	B	1 17/64	15/16	0.32
30	2.000	1.875	B	1 5/8	1 1/4	0.77	1.600	1.500	B	1 23/64	15/16	0.38
32	2.125	2.000	B	1 3/4	1 1/4	0.90	1.700	1.600	B	1 7/16	1	0.46
35	2.312	2.187	B	2	1 1/4	1.10	1.850	1.750	B	1 9/16	1	0.56
36	2.375	2.250	B	2	1 1/4	1.18	1.900	1.800	B	1 5/8	1	0.60
40	2.625	2.500	B	2	1 3/8	1.48	2.100	2.000	B	1 13/16	1	0.76
45	2.937	2.812	B	2	1 3/8	1.80	2.350	2.250	B	2	1	0.95
48	3.125	3.000	B	2	1 3/8	1.94	2.500	2.400	B	2	1	1.08
50	3.250	3.125	B	2	1 3/8	2.25	2.600	2.500	B	2	1	1.45
56	3.625	3.500	B	2 1/2	1 3/8	2.79	2.900	2.800	B	2	1	1.68
60	3.825	3.750	B	2 3/4	1 3/8	3.28	3.100	3.000	B	2 1/8	1	1.93
64	4.125	4.000	B	2 3/4	1 1/2	3.74	3.300	3.200	B	2 1/8	1	1.96
70	4.500	4.375	B	3	1 1/2	4.31	3.600	3.500	B	2 3/8	1	2.01
72	4.625	4.500	B	3	1 1/2	4.64	3.700	3.600	B	2 3/8	1	2.35
80	5.125	5.000	B	3 1/2	1 1/2	6.03	4.100	4.000	B	2 1/2	1 1/8	2.53
84	5.375	5.250	B	3 1/2	1 1/2	6.46	4.300	4.200	B	2 1/2	1 1/8	2.82
90	5.750	5.625	B	3 1/2	1 1/2	7.35	4.600	4.500	B	2 1/2	1 1/8	2.95
96	6.125	6.000	B	3 1/2	1 1/2	7.86	4.900	4.800	B	2 1/2	1 1/8	3.10
100	6.375	6.250	B	3 1/2	1 1/2	8.50	5.100	5.000	B	2 1/2	1 1/8	3.35
104	6.250	6.500	B	3 1/2	1 1/2	8.91	5.300	5.200	B	2 1/2	1 1/8	3.95
120							6.100	6.000	B	2 1/2	1 1/8	4.58

# Cast Iron Stock Spur Gear

**20°**  
Pressure Angle



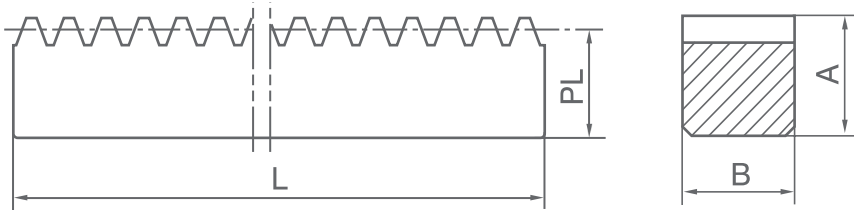
Z	<b>8DP 1 1/2" Face</b>						<b>12DP 1" Face</b>					
	Diameter		Type	Hubs		wt Lbs	Diameter		Type	Hubs		wt Lbs
	OD	PD		dm	F+P		OD	PD		dm	F+P	
52	6.750	6.50	B	3	2 1/2	11.9						
56	7.250	7.00	B	3	2 1/2	13.0						
60	7.750	7.50	B <sub>2</sub>	3	2 1/2	12.0						
64	8.250	8.00	B <sub>3</sub>	3	2 1/2	12.1						
72	9.250	9.00	B <sub>3</sub>	3 1/4	2 1/2	14.4						
80	10.250	10.00	B <sub>3</sub>	3 1/4	2 3/4	17.0						
84	10.750	10.50	B <sub>3</sub>	3 1/4	2 3/4	18.0	7.166	7.000	B <sub>3</sub>	2 1/2	1 7/8	5.9
88	11.250	11.00	B <sub>3</sub>	3 1/4	2 3/4	19.0	7.500	7.333	B <sub>3</sub>	2 1/2	1 7/8	6.2
96	12.250	12.00	B <sub>3</sub>	3 1/2	2 3/4	23.7	8.166	8.000	B <sub>3</sub>	2 1/2	1 7/8	7.0
108	13.750	13.50	B <sub>3</sub>	3 1/2	2 3/4	24.5	9.166	9.000	B <sub>3</sub>	2 1/2	1 7/8	7.6
112	14.250	14.00	B <sub>3</sub>	3 1/2	2 3/4	25.0	9.500	9.333	B <sub>3</sub>	2 1/2	1 7/8	8.8
120	15.250	15.00	B <sub>3</sub>	3 1/2	2 3/4	25.8	10.166	10.000	B <sub>3</sub>	2 1/2	1 7/8	10.3
128	16.250	16.00	B <sub>3</sub>	3 1/2	2 3/4	28.0	10.833	10.666	B <sub>3</sub>	2 3/4	2	10.3
144	18.250	18.00	B <sub>3</sub>	3 3/4	2 3/4	32.0	12.166	12.000	B <sub>3</sub>	2 3/4	2	10.4
160	20.250	20.00	B <sub>3</sub>	3 3/4	3	34.8						

Z	<b>10DP 1 1/4" Face</b>						<b>16DP 3/4" Face</b>					
	Diameter		Type	Hubs		wt Lbs	Diameter		Type	Hubs		wt Lbs
	OD	PD		dm	F+P		OD	PD		dm	F+P	
70	7.20	7.00	B <sub>3</sub>	2 3/4	2 1/4	8.2						
80	8.20	8.00	B <sub>3</sub>	2 3/4	2 1/4	11.2						
90	9.20	9.00	B <sub>3</sub>	3	2 1/4	11.7						
100	10.20	10.00	B <sub>3</sub>	3	2 3/8	12.2						
112							7.125	7.00	B <sub>3</sub>	2 1/2	1 1/2	4.4
128							8.125	8.00	B <sub>3</sub>	2 3/4	1 1/2	5.5
144							9.125	9.00	B <sub>3</sub>	2 3/4	1 1/2	6.4
160							10.125	10.00	B <sub>3</sub>	2 3/4	1 1/2	8.1
192							12.125	12.00	B <sub>3</sub>	3	1 3/4	10.1



# Machined Gear Racks

## Standard Face Width



**14 1/2°**  
Pressure Angle

Catalog Number	DP	B	A	PL	wt Lbs
145SR3x2	3	3	1 1/2	1.167	24.0
145SR3x4	3	3	1 1/2	1.167	48.0
145SR3x6	3	3	1 1/2	1.167	72.0
145SR4x2	4	2	1 1/2	1.250	17.4
145SR4x4	4	2	1 1/2	1.250	34.8
145SR4x6	4	2	1 1/2	1.250	52.2
145SR4x2B	4	2	2	1.750	23.6
145SR4x4B	4	2	2	1.750	47.2
145SR4x6B	4	2	2	1.750	70.8
145SR5x2	5	1 3/4	1 1/4	1.050	12.8
145SR5x4	5	1 3/4	1 1/4	1.050	25.6
145SR5x6	5	1 3/4	1 1/4	1.050	38.4
145SR5x2B	5	1 3/4	1 1/2	1.300	16.0
145SR5x4B	5	1 3/4	1 1/2	1.300	32.0
145SR5x6B	5	1 3/4	1 1/2	1.300	48.0
145SR6x2	6	1 1/2	1	0.833	8.6
145SR6x4	6	1 1/2	1	0.833	17.2
145SR6x6	6	1 1/2	1	0.833	25.8
145SR6x2B	6	1 1/2	1 1/2	1.333	13.8
145SR6x4B	6	1 1/2	1 1/2	1.333	27.6
145SR6x6B	6	1 1/2	1 1/2	1.333	41.4
145SR8x2	8	1 1/4	3/4	0.625	5.2
145SR8x4	8	1 1/4	3/4	0.625	10.4
145SR8x6	8	1 1/4	3/4	0.625	15.6
145SR8x2B	8	1 1/4	1 1/4	1.125	9.8
145SR8x4B	8	1 1/4	1 1/4	1.125	19.6
145SR8x6B	8	1 1/4	1 1/4	1.125	29.4
145SR10x2	10	1	5/8	0.525	3.6
145SR10x4	10	1	5/8	0.525	7.2
145SR10x6	10	1	5/8	0.525	10.8
145SR10x2B	10	1	1	0.900	6.0
145SR10x4B	10	1	1	0.900	12.0
145SR10x6B	10	1	1	0.900	18.0
145SR12x2	12	3/4	1/2	0.417	2.0
145SR12x4	12	3/4	1/2	0.417	4.0
145SR12x6	12	3/4	1/2	0.417	6.0
145SR12x2B	12	3/4	3/4	0.667	3.4
145SR12x4B	12	3/4	3/4	0.667	6.8
145SR12x6B	12	3/4	3/4	0.667	10.2
145SR16x2	16	5/16	5/16	0.250	0.50
145SR16x4	16	5/16	5/16	0.250	1.00
145SR16x6	16	5/16	5/16	0.250	1.50
145SR16x2B	16	1/2	1/2	0.438	1.52
145SR16x4B	16	1/2	1/2	0.438	3.04
145SR16x6B	16	1/2	1/2	0.438	4.56
145SR20x2	20	3/8	3/8	0.325	0.84
145SR20x4	20	3/8	3/8	0.325	1.68
145SR20x6	20	3/8	3/8	0.325	2.52
145SR24x2	24	1/4	1/4	0.208	0.38
145SR24x4	24	1/4	1/4	0.208	0.76
145SR24x6	24	1/4	1/4	0.208	1.14



**Special Note**

The racks produced by CHSSB are of the following characteristics of high precision:

- In the whole length of 6ft, unstraight degree is within 0.01", no matter where measurement is taken at any place of the rack.
- Unverticality of each vertical plane of the rack is less than 0.01".
- Error added up to circumferential pitch of any teeth is less than 0.01".

# Machined Gear Racks

## Standard Face Width

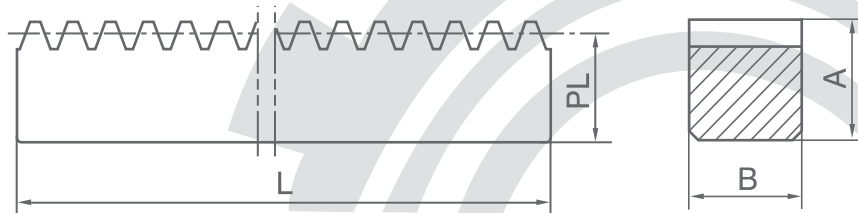


**20°**  
Pressure Angle

**Special Note**

The racks produced by CHSSB are of the following characteristic of high precision:

- In the whole length of 6ft, unstraight degree is within 0.01", no matter where the measurement is taken at any place of the rack.
- Unverticality of each vertical plane of the rack is less than 0.01".
- Error added up to circumferential pitch of any teeth is less than 0.01".



Catalog Number	DP	B	A	PL	wt Lbs
20SR3x2	3	3	1 1/2	1.167	24.0
20SR3x4	3	3	1 1/2	1.167	48.0
20SR3x6	3	3	1 1/2	1.167	72.0
20SR4x2	4	2	1 1/2	1.250	17.4
20SR4x4	4	2	1 1/2	1.250	34.8
20SR4x6	4	2	1 1/2	1.250	52.2
20SR5x2	5	1 3/4	1 1/4	1.050	12.8
20SR5x4	5	1 3/4	1 1/4	1.050	25.6
20SR5x6	5	1 3/4	1 1/4	1.050	38.4
20SR6x2	6	1 1/2	1 1/2	1.333	13.8
20SR6x4	6	1 1/2	1 1/2	1.333	27.6
20SR6x6	6	1 1/2	1 1/2	1.333	41.4
20SR8x2	8	1 1/4	1 1/4	1.125	9.8
20SR8x4	8	1 1/4	1 1/4	1.125	19.6
20SR8x6	8	1 1/4	1 1/4	1.125	29.4
20SR10x2	10	1	1	0.900	6.0
20SR10x4	10	1	1	0.900	12.0
20SR10x6	10	1	1	0.900	18.0
20SR12x2	12	3/4	3/4	0.667	3.4
20SR12x4	12	3/4	3/4	0.667	6.8
20SR12x6	12	3/4	3/4	0.667	10.2
20SR16x2	16	1/2	1/2	0.438	1.52
20SR16x4	16	1/2	1/2	0.438	3.04
20SR16x6	16	1/2	1/2	0.438	4.56
20SR20x2	20	3/8	3/8	0.325	0.84
20SR20x4	20	3/8	3/8	0.325	1.68
20SR20x6	20	3/8	3/8	0.325	2.52

# Machined Gear Racks

## Standard Face Width

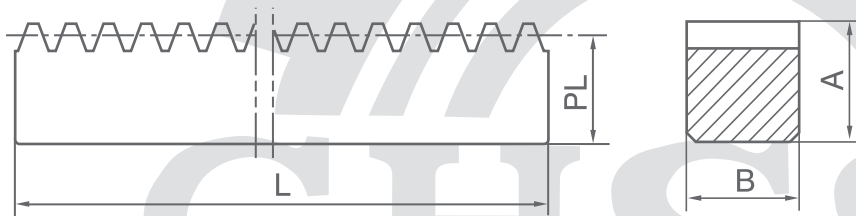
**20°**  
Pressure Angle



**Special Note**

The racks produced by CHSSB are of the following characteristics of high precision:

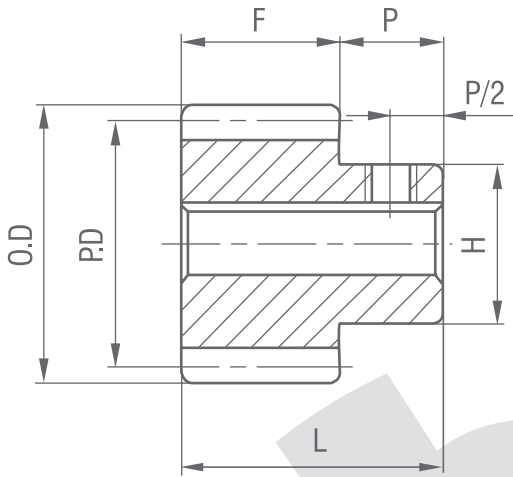
- In the whole length of 6ft, unstraight degree is within 0.01", no matter where the measurement is taken at any place of the rack.
- Unverticality of each vertical plane of the rack is less than 0.01".
- Error added up to circumferential pitch of any teeth is less than 0.01".



Catalog Number	DP	B	A	PL	wt Lbs
20WR4x2	4	3 1/2	2	1.750	41.0
20WR4x4		3 1/2	2	1.750	82.0
20WR4x6		3 1/2	2	1.750	123.0
20WR5x2	5	2 1/2	1 1/2	1.300	22.4
20WR5x4		2 1/2	1 1/2	1.300	44.8
20WR5x6		2 1/2	1 1/2	1.300	67.2
20WR6x2	6	2	1 1/2	1.333	17.0
20WR6x4		2	1 1/2	1.333	34.0
20WR6x6		2	1 1/2	1.333	51.0
20WR8x2	8	1 1/2	1 1/2	1.375	13.8
20WR8x4		1 1/2	1 1/2	1.375	27.6
20WR8x6		1 1/2	1 1/2	1.375	41.3
20WR10x2	10	1 1/4	1 1/4	1.150	9.0
20WR10x4		1 1/4	1 1/4	1.150	18.0
20WR10x6		1 1/4	1 1/4	1.150	27.0
20WR12x2	12	1	1	0.917	6.4
20WR12x4		1	1	0.917	12.8
20WR12x6		1	1	0.917	19.2
20WR16x2	16	3/4	3/4	0.688	3.4
20WR16x4		3/4	3/4	0.688	6.8
20WR16x6		3/4	3/4	0.688	10.2
20WR20x2	20	1/2	1/2	0.450	0.8
20WR20x4		1/2	1/2	0.450	1.6
20WR20x6		1/2	1/2	0.450	2.5

# Steel Stock Spur Gears

Pressure Angle **14 1/2°**

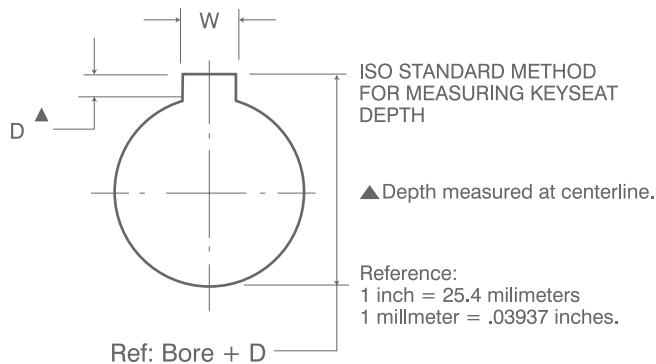


## 8DP 1 1/4" Face

PART NO.	Z	Diameter		Type	stock Bores Marked "●"					Dimensions				wt Lbs	
		PD	OD		5/8	3/4	7/8	1"	1 1/8	F	L	P	H		
FB8S12	12	1.500	1.75	1	●						1 1/4	2	3/4	1 1/8	0.5
FB8S14	14	1.750	2.00	1		●					1 1/4	2	3/4	1 3/8	0.8
FB8S15	15	1.875	2.12	1		●					1 1/4	2	3/4	1 1/2	1.0
FB8S16	16	2.000	2.25	1		●	●				1 1/4	2	3/4	1 5/8	1.2
FB8S18	18	2.250	2.50	1		●	●	●		●	1 1/4	2	3/4	1 7/8	1.6
FB8S20	20	2.500	2.75	1		●	●	●		●	1 1/4	2	3/4	2 1/8	2.2
FB8S22	22	2.750	3.00	1		●	●	●		●	1 1/4	2	3/4	2 3/8	2.6

## 10DP 1" Face

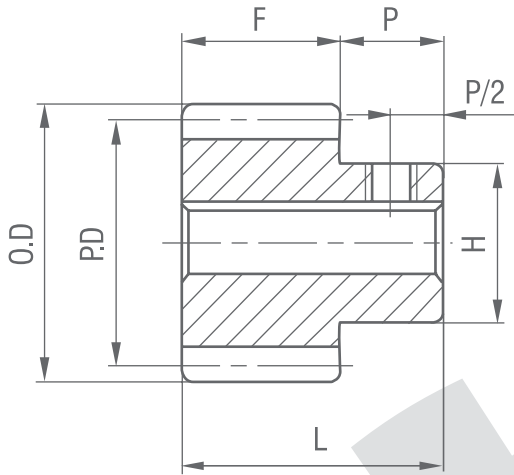
PART NO.	Z	Diameter		Type	stock Bores Marked "●"					Dimensions				wt Lbs	
		PD	OD		1/2	5/8	3/4	7/8	1"	F	L	P	H		
FB10S12	12	1.200	1.40		●						1	1 5/8	5/8	29/32	0.3
FB10S14	14	1.400	1.60			●					1	1 5/8	5/8	17/64	0.4
FB10S15	15	1.500	1.70			●					1	1 5/8	5/8	17/32	0.5
FB10S16	16	1.600	1.80			●	●				1	1 5/8	5/8	15/16	0.6
FB10S18	18	1.800	2.00				●	●			1	1 5/8	5/8	133/64	0.7
FB10S20	20	2.000	2.20				●	●	●		1	1 5/8	5/8	123/32	0.9
FB10S24	24	2.400	2.60				●	●	●		1	1 5/8	5/8	27/64	1.6



### Standard Keyseat

Bore Range	Keyseat
3/8"-7/16"	None
1/2"-9/16"	1/8"x1/16"
5/8"-7/8"	3/16"x3/32"
15/16"-1 1/4"	1/4"x1/8"

Pressure Angle **14 1/2°**



## 12DP 3/4"Face

PART NO.	Z	Diameter		Type	stock Bores Marked "●"					Dimensions				wt
		PD	OD		1/2	5/8	3/4	7/8	1"	F	L	P	H	Lbs
FB12S11	11	1.000	1.16	1	●					3/4	1 1/4	1/2	3/4	0.1
FB12S12	12	1.000	1.16	1	●					3/4	1 1/4	1/2	3/4	0.1
FB12S13	13	1.083	1.25	1	●					3/4	1 1/4	1/2	13/16	0.2
FB12S14	14	1.167	1.33	1	●					3/4	1 1/4	1/2	29/32	0.2
FB12S15	15	1.250	1.41	1	●					3/4	1 1/4	1/2	1	0.3
FB12S16	16	1.333	1.50	1	●					3/4	1 1/4	1/2	11/16	0.3
FB12S18	18	1.500	1.66	1		●				3/4	1 1/4	1/2	1 1/4	0.4
FB12S20	20	1.667	1.83	1		●	●			3/4	1 1/4	1/2	1 13/32	0.5
FB12S21	21	1.750	1.91	1		●	●	●		3/4	1 1/4	1/2	1 1/2	0.6
FB12S22	22	1.833	2.00	1		●	●	●	●	3/4	1 1/4	1/2	1 9/16	0.7
FB12S24	24	2.000	2.16	1		●	●	●	●	3/4	1 1/4	1/2	1 3/4	0.8

## 16DP 1/2"Face

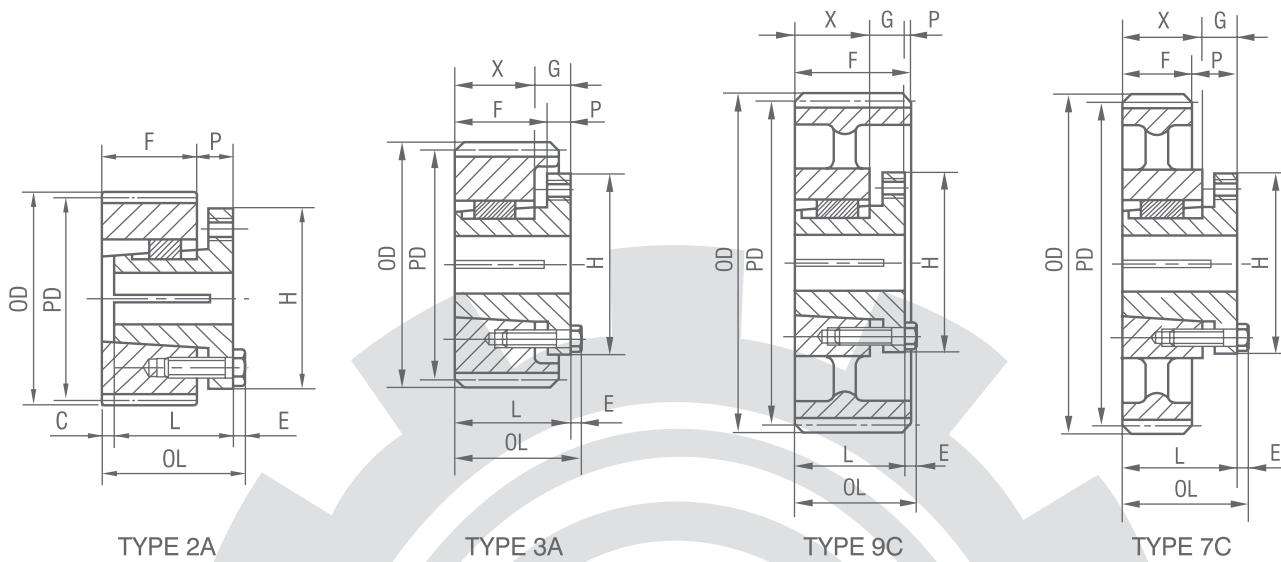
PART NO.	Z	Diameter		Type	stock Bores Marked "●"					Dimensions				wt
		PD	OD		5/16	3/8	1/2	5/8	3/4	F	L	P	H	Lbs
FB16S12	12	0.750	0.87	1	●					1/2	15/16	7/16	9/16	0.1
FB16S13	13	0.813	0.93	1		●				1/2	15/16	7/16	5/8	0.1
FB16S14	14	0.875	1.00	1		●				1/2	15/16	7/16	11/16	0.13
FB16S15	15	0.938	1.06	1		●	●			1/2	15/16	7/16	3/4	0.13
FB16S16	16	1.000	1.12	1		●	●			1/2	15/16	7/16	13/16	0.19
FB16S18	18	1.125	1.25	1			●			1/2	15/16	7/16	15/16	0.21
FB16S20	20	1.250	1.37	1			●	●		1/2	15/16	7/16	1 1/16	0.23
FB16S22	22	1.375	1.50	1			●	●		1/2	15/16	7/16	1 3/16	0.25
FB16S24	24	1.500	1.62	1			●	●	●	1/2	15/16	7/16	1 5/16	0.31
FB16S26	26	1.625	1.75	1			●	●	●	1/2	15/16	7/16	1 7/16	0.44
FB16S28	28	1.750	1.87	1			●	●	●	1/2	1	1/2	1 1/2	0.50
FB16S30	30	1.875	2.00	1			●	●	●	1/2	1	1/2	1 5/8	0.60
FB16S32	32	2.000	2.12	1			●	●	●	1/2	1	1/2	1 3/4	0.69

**Taper Bore Spur Gears**

**STL**

**Steel Stock and Cast Iron**

Pressure Angle **14 1/2°**



**3DP 3"Face**

Part No.	Z	Diameter		Bush	Type	Dimensions									wt Lbs
		PD	OD			F	OL	L	P	C	H	G	X	E	
STL3Q15	15	5.000	5.66	Q <sub>2</sub>	2A	3	41/32	3 1/2	3/4	1/4	4 1/8	—	—	9/32	10.5
STL3Q18	18	6.000	6.66	Q <sub>2</sub>	2A	3	41/32	3 1/2	3/4	1/4	4 1/8	—	—	9/32	17.8
STL3Q20	20	6.667	7.33	Q <sub>2</sub>	3A	3	3 25/32	3 1/2	1/2	—	4 1/8	3/4	2 3/4	9/32	22.6
STL3Q21	21	7.000	7.66	Q <sub>2</sub>	3A	3	3 25/32	3 1/2	1/2	—	4 1/8	3/4	2 3/4	9/32	25.9
STL3Q24	24	8.000	8.66	R <sub>1</sub>	3A	3	3 5/32	2 7/8	1/8	—	5 3/8	7/8	2	9/32	25.8
STL3R30	30	10.000	10.66	R <sub>1</sub>	9C	3	3 5/32	2 7/8	1/8	—	5 3/8	7/8	2	9/32	40.0
STL3R42	42	14.000	14.66	R <sub>2</sub>	9C	3	3 5/32	2 7/8	1/8	—	5 3/8	7/8	2	9/32	56.0
STL3R48	48	16.000	16.66	R <sub>1</sub>	9C	3	3 5/32	2 7/8	1/8	—	5 3/8	7/8	2	9/32	65.5
STL3R54	54	18.000	18.66	R <sub>1</sub>	9C	3	3 5/32	2 7/8	1/8	—	5 3/8	7/8	2	9/32	77.0
STL3R60	60	20.000	20.66	R <sub>1</sub>	9C	3	3 5/32	2 7/8	1/8	—	5 3/8	7/8	2	9/32	87.0
STL3R72	72	24.000	24.66	R <sub>1</sub>	9C	3	3 5/32	2 7/8	1/8	—	5 3/8	7/8	2	9/32	114
STL3S84	84	28.000	28.66	S <sub>1</sub>	7C	3	4 3/4	4 3/8	1 3/8	—	6 3/8	1 1/16	3 5/16	3/8	151
STL3S96	96	32.00	32.66	S <sub>1</sub>	7C	3	4 3/4	4 3/8	1 3/8	—	6 3/8	1 1/16	3 5/16	3/8	180
STL3S108	108	36.000	36.66	S <sub>1</sub>	7C	3	4 3/4	4 3/8	1 3/8	—	6 3/8	1 1/16	3 5/16	3/8	198
STL3S120	120	40.000	40.66	S <sub>1</sub>	7C	3	4 3/4	4 3/8	1 3/8	—	6 3/8	1 1/16	3 5/16	3/8	244

**Bore Range**

Bushing	Bore Range
Q <sub>2</sub>	1"-2 5/8"
R <sub>1</sub>	1 1/8"-3 3/4"
S <sub>1</sub>	1 11/16"-4 1/4"



**Standard Keyseats**

Bore Range	Keyway
1"-1 1/4"	1/4"x1/8"
1 5/16"-1 3/8"	5/16"x5/32
1 7/16"-1 3/4"	3/8"x3/16
1 13/16"-2 1/4"	1/2"x1/4
2 5/16"-2 3/4"	5/8"x5/16
2 13/16"-3 1/4"	3/4"x3/8
3 5/16"-3 3/4"	7/8"x7/16
3 13/16"-4 3/8"	1x1/2

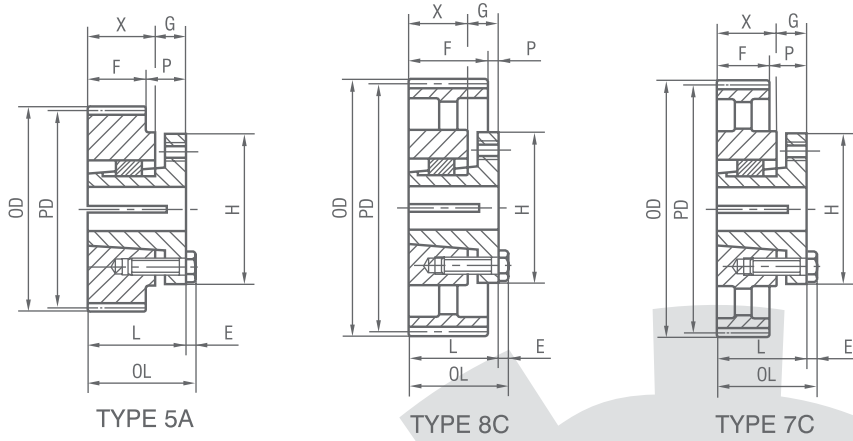
1 3/8" Bore Bushings Also available with 3/8" x 3/16" Ks

**T<sub>aper</sub>  
B<sub>ore</sub> Spur Gears**

**STL**

**Steel Stock and Cast Iron**

Pressure Angle **14 1/2°**



**4DP 2"Face**

Part No.	Z	Diameter		Bush	Type	Dimensions									wt	
		PD	OD			F	OL	L	P	C	H	G	X	E	Lbs	wt
STL4P15	15	3.750	4.25	P2	5A	2	33/16	215/16	15/16	—	3	5/8	25/16	1/4	4.7	
STL4P16	16	4.000	4.50	P2	5A	2	33/16	215/16	15/16	—	3	5/8	25/16	1/4	5.6	
STL4P20	20	5.000	5.50	P2	5A	2	33/16	215/16	15/16	—	3	5/8	25/16	1/4	14.4	
STL4P24	24	6.000	6.50	P2	5A	2	33/16	215/16	15/16	—	3	5/8	25/16	1/4	14.4	
STL4P28	28	7.000	7.50	P2	5A	2	33/16	215/16	15/16	—	3	5/8	25/16	1/4	20.4	
STL4Q30	30	7.500	8.00	Q1	8C	2	225/32	21/2	1/2	—	41/8	3/4	13/4	9/32	16.2	
STL4Q32	32	8.000	8.50	Q1	8C	2	225/32	21/2	1/2	—	41/8	3/4	13/4	9/32	18.1	
STL4Q36	36	9.000	9.50	Q1	8C	2	225/32	21/2	1/2	—	41/8	3/4	13/4	9/32	19.2	
STL4Q40	40	10.000	10.50	Q1	8C	2	225/32	21/2	1/2	—	41/8	3/4	13/4	9/32	25.6	
STL4Q44	44	11.000	11.50	Q1	8C	2	225/32	21/2	1/2	—	41/8	3/4	13/4	9/32	26.8	
STL4Q48	48	12.000	12.50	Q1	8C	2	225/32	21/2	1/2	—	41/8	3/4	13/4	9/32	27.8	
STL4Q54	54	13.500	14.00	Q1	8C	2	225/32	21/2	1/2	—	41/8	3/4	13/4	9/32	31.1	
STL4Q56	56	14.000	14.50	Q1	8C	2	225/32	21/2	1/2	—	41/8	3/4	13/4	9/32	32.3	
STL4Q60	60	15.000	15.50	Q1	8C	2	225/32	21/2	1/2	—	41/8	3/4	13/4	9/32	35.9	
STL4Q64	64	16.000	16.50	Q1	8C	2	225/32	21/2	1/2	—	41/8	3/4	13/4	9/32	39.9	
STL4Q72	72	18.000	18.50	Q1	8C	2	225/32	21/2	1/2	—	41/8	3/4	13/4	9/32	43.3	
STL4R80	80	20.000	20.50	R1	7C	2	35/32	27/8	7/8	—	53/8	7/8	2	9/32	52.5	
STL4R88	88	22.000	22.50	R1	7C	2	35/32	27/8	7/8	—	53/8	7/8	2	9/32	60.3	
STL4R96	96	24.000	24.50	R1	7C	2	35/32	27/8	7/8	—	53/8	7/8	2	9/32	65.5	
STL4R120	120	30.0000	30.50	R1	7C	2	35/32	27/8	7/8	—	53/8	7/8	2	9/32	96.5	
STL4R144	144	36.000	36.50	R1	7C	2	35/32	27/8	7/8	—	53/8	7/8	2	9/32	127.0	

**Bore Range**

Bushing	Bore Range
P2	3/4"-13/4"
Q1	3/4"-211/16"
R1	11/8"-33/4"



**Standard keyseats**

Bore Range	Keyway
3/4"-7/8"	3/16"x3/32"
15/16"-11/4"	1/4x1/8
15/16 & 13/8"	5/16x5/32
17/16"-13/4"	3/8x3/16
113/16"-21/4"	1/2x1/4
25/16"-23/4"	5/8x5/16
213/16"-31/4"	3/4x3/8
33/8"-33/4"	7/8x7/16

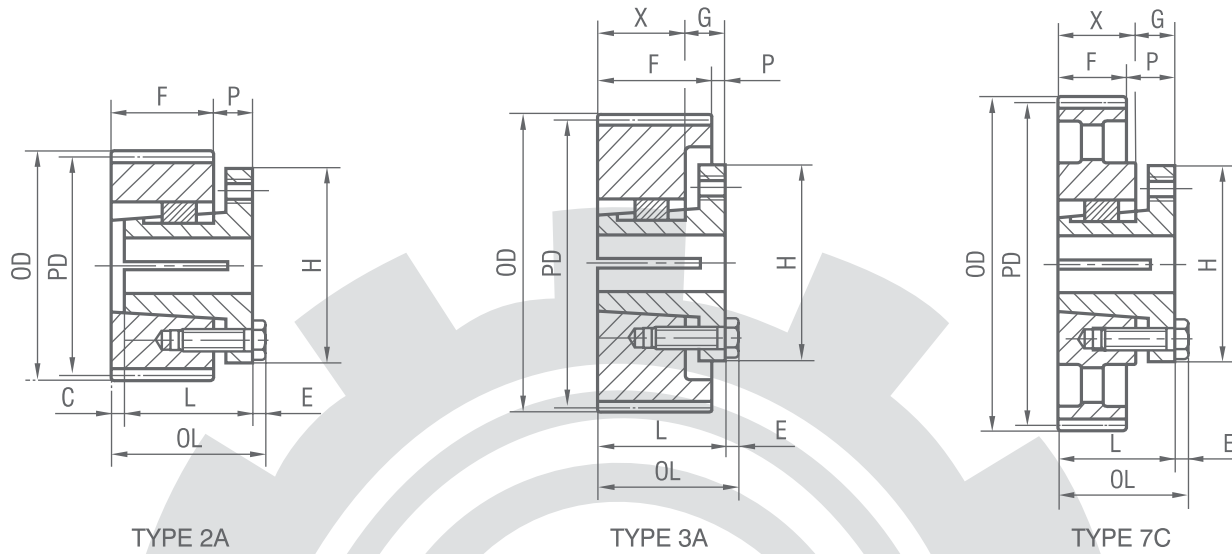
13/8" Bore Bushings Also available with 3/8" x 3/16" Ks

**T<sub>aper</sub>  
B<sub>ore</sub>** **Spur Gears**

**STL**

**Steel Stock and Cast Iron**

Pressure Angle **14 1/2°**



**5DP 1 3/4" Face**

Part No.	Z	Diameter		Bush	Type	Dimensions									wt Lbs
		PD	OD			F	OL	L	P	C	H	G	X	E	
STL5P18	18	3.60	4.00	P <sub>1</sub>	2A	1 3/4	25/8	1 15/16	5/8	7/16	3	—	—	1/4	3.4
STL5P20	20	4.00	4.40	P <sub>1</sub>	2A	1 3/4	25/8	1 15/16	5/8	7/16	3	—	—	1/4	4.5
STL5P24	24	4.80	5.20	P <sub>1</sub>	3A	1 3/4	23/16	1 15/16	3/16	—	3	5/8	15/16	1/4	6.4
STL5P30	30	6.00	6.40	P <sub>1</sub>	3A	1 3/4	23/16	1 15/16	3/16	—	3	5/8	15/16	1/4	10.6
STL5P35	35	7.00	7.40	P <sub>1</sub>	3A	1 3/4	23/16	1 15/16	3/16	—	3	5/8	15/16	1/4	14.9
STL5Q40	40	8.00	8.40	Q <sub>1</sub>	7C	1 3/4	2 25/32	2 1/2	3/4	—	4 1/8	3/4	1 3/4	9/32	15.7
STL5Q45	45	9.00	9.40	Q <sub>1</sub>	7C	1 3/4	2 25/32	2 1/2	3/4	—	4 1/8	3/4	1 3/4	9/32	17.4
STL5Q50	50	10.00	10.40	Q <sub>1</sub>	7C	1 3/4	2 25/32	2 1/2	3/4	—	4 1/8	3/4	1 3/4	9/32	18.7
STL5Q60	60	12.00	12.40	Q <sub>1</sub>	7C	1 3/4	2 25/32	2 1/2	3/4	—	4 1/8	3/4	1 3/4	9/32	21.6
STL5Q70	70	14.00	14.40	Q <sub>1</sub>	7C	1 3/4	2 25/32	2 1/2	3/4	—	4 1/8	3/4	1 3/4	9/32	28.0
STL5Q80	80	16.00	16.40	Q <sub>1</sub>	7C	1 3/4	2 25/32	2 1/2	3/4	—	4 1/8	3/4	1 3/4	9/32	33.5
STL5Q90	90	18.00	18.40	Q <sub>1</sub>	7C	1 3/4	2 25/32	2 1/2	3/4	—	4 1/8	3/4	1 3/4	9/32	36.5
STL5Q120	120	24.00	24.40	Q <sub>1</sub>	7C	1 3/4	2 25/32	2 1/2	3/4	—	4 1/8	3/4	1 3/4	9/32	52.0

**Bore Range**

Bushing	Bore Range
P <sub>1</sub>	1/2"-1 3/4"
Q <sub>1</sub>	3/4"-2 11/16"



**Standard Keyseats**

Bore Range	Keyseat
1/2"-9/16"	1/8"x1/16"
5/8-7/8	3/16x3/32
15/16-1 1/4	1/4x1/8
15/16-1 3/8	5/16x5/32
1 7/16-1 3/4	3/8x3/16
1 13/16-2 1/4	1/2x1/4
2 5/16-2 3/4	5/8x5/16
2 13/16-3 1/4	3/4x3/8

1 3/8" Bore Bushing also available with 3/8"x3/16" Keyseat.

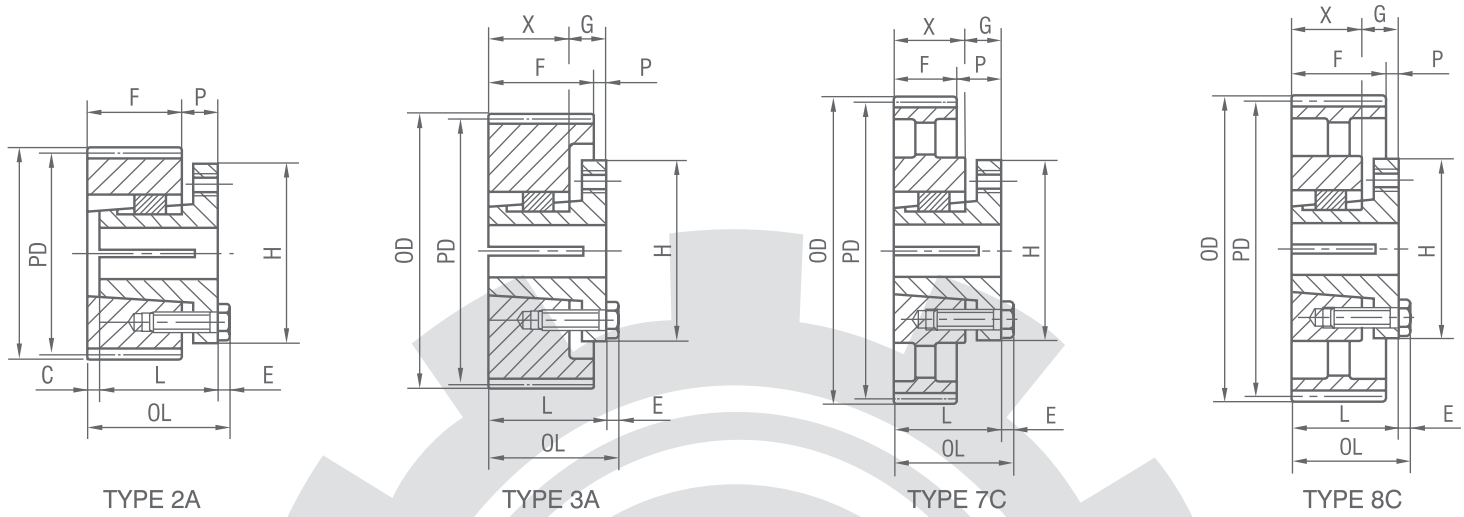


**T<sub>aper</sub>  
B<sub>ore</sub> Spur Gears**

**STL**

**Steel Stock and Cast Iron**

Pressure Angle **14 1/2°**



**6DP 1 1/2" Face**

Part No.	Z	Diameter		Bush	Type	Dimensions								wt Lbs	
		PD	OD			F	OL	L	P	C	H	G	X		E
STL6P21	21	3.500	3.83	P <sub>1</sub>	2A	1 1/2	23/8	1 15/16	5/8	3/16	3	—	—	1/4	2.7
STL6P24	24	4.000	4.33	P <sub>1</sub>	2A	1 1/2	23/8	1 15/16	5/8	3/16	3	—	—	1/4	3.9
STL6P30	30	5.000	5.33	P <sub>1</sub>	3A	1 1/2	23/16	1 15/16	7/16	—	3	5/8	15/16	1/4	6.5
STL6P32	32	5.333	5.66	P <sub>1</sub>	3A	1 1/2	23/16	1 15/16	7/16	—	3	5/8	15/16	1/4	7.7
STL6P33	33	5.500	5.83	P <sub>1</sub>	3A	1 1/2	23/16	1 15/16	7/16	—	3	5/8	15/16	1/4	8.1
STL6P36	36	6.000	6.33	P <sub>1</sub>	3A	1 1/2	33/16	1 15/16	7/16	—	3	5/8	15/16	1/4	10.1
STL6P40	40	6.667	7.00	P <sub>1</sub>	3A	1 1/2	23/16	1 15/16	7/16	—	3	5/8	15/16	1/4	12.6
STL6P42	42	7.000	7.33	P <sub>1</sub>	3A	1 1/2	23/16	15/16	7/16	—	3	5/8	15/16	1/4	14.2
STL6P48	48	8.000	8.33	P <sub>1</sub>	8C	1 1/2	23/16	1 15/16	7/16	—	3	5/8	15/16	1/4	15.2
STL6P60	60	10.000	10.33	P <sub>1</sub>	8C	1 1/2	23/16	1 15/16	7/16	—	3	5/8	15/16	1/4	16.2
STL6P64	64	10.667	11.00	P <sub>1</sub>	8C	1 1/2	23/16	1 15/16	7/16	—	3	5/8	15/16	1/4	17.2
STL6P72	72	12.000	12.33	P <sub>1</sub>	8C	1 1/2	23/16	1 15/16	7/16	—	3	5/8	15/16	1/4	18.2
STL6Q84	84	14.000	14.33	Q <sub>1</sub>	7C	1 1/2	225/32	2 1/2	1	—	4 1/8	3/4	1 3/4	9/32	19.3
STL6Q96	96	16.000	16.33	Q <sub>1</sub>	7C	1 1/2	225/32	2 1/2	1	—	4 1/8	3/4	1 3/4	9/32	22.8
STL6Q108	108	18.000	18.33	Q <sub>1</sub>	7C	1 1/2	225/32	2 1/2	1	—	4 1/8	3/4	1 3/4	9/32	26.8
STL6Q120	120	20.000	20.33	Q <sub>1</sub>	7C	1 1/2	225/32	2 1/2	1	—	4 1/8	3/4	1 3/4	9/32	31.4
STL6Q132	132	22.000	22.33	Q <sub>1</sub>	7C	1 1/2	225/32	2 1/2	1	—	4 1/8	3/4	1 3/4	9/32	44.2
STL6Q144	144	24.000	24.33	Q <sub>1</sub>	7C	1 1/2	225/32	2 1/2	1	—	4 1/8	3/4	1 3/4	9/32	48.4

**Bore Range**

Bushing	Bore Range
P <sub>1</sub>	1/2"-1 3/4"
Q <sub>1</sub>	3/4"-2 11/16"



**Standard Keyseats**

Bore Range	Keyseat
3/8"-7/16"	None
1/2"-9/16"	1/8"X1/16"
5/8"-7/8"	3/16X3/32
15/16"-1 1/4"	1/4X1/8
15/16"-1 3/8"	5/16X5/32
17/16"-1 3/4"	3/8X3/16
1 13/16"-2 1/4"	1/2X1/4
25/16"-2 3/4"	5/8X5/16

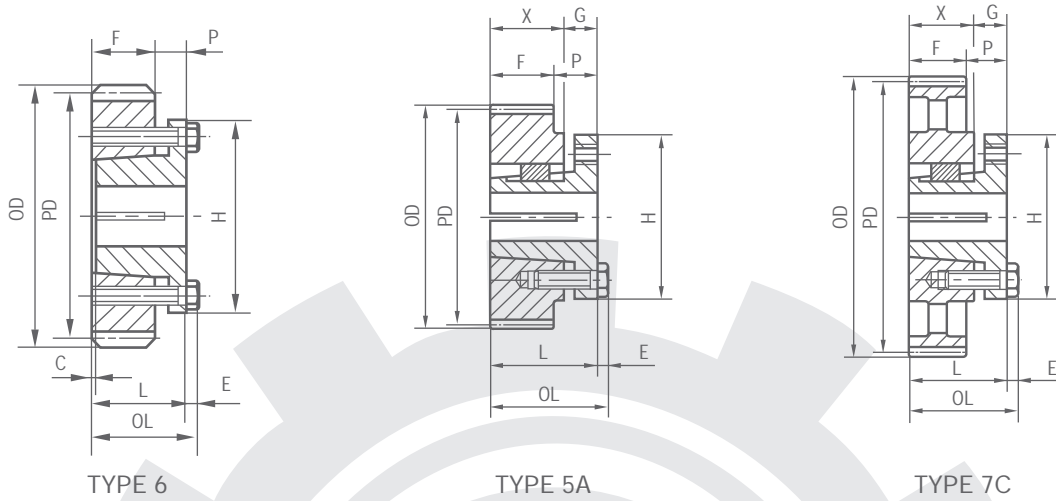
1 3/8" Bore Bushing also available with 3/8"X3/16" Keyseat.

**T<sub>B</sub><sup>aper</sup>** **Spur Gears**

**STL**

**Steel Stock and Cast Iron**

Pressure Angle **14 1/2°**



**8DP 1 1/4" Face**

Part No.	Z	Diameter		Bush	Type	Dimensions									wt	
		PD	OD			F	OL	L	P	C	H	G	X	E	Lbs	
STL8H24	24	3.000	3.25	H	6	1 1/4	17/8	1 1/4	7/16	7/16	2 1/2	—	—	3/16	1.1	
STL8H28	28	3.500	3.75	H	6	1 1/4	17/8	1 1/4	7/16	7/16	2 1/2	—	—	3/16	2.6	
STL8H30	30	3.750	4.00	H	6	1 1/4	17/8	1 1/4	7/16	7/16	2 1/2	—	—	3/16	3.0	
STL8H32	32	4.000	4.25	H	6	1 1/4	17/8	1 1/4	7/16	7/16	2 1/2	—	—	3/16	3.8	
STL8P36	36	4.500	4.75	P <sub>1</sub>	5A	1 1/4	23/16	1 15/16	11/16	—	3	5/8	15/16	1/4	4.5	
STL8P40	40	5.000	5.25	P <sub>1</sub>	5A	1 1/4	23/16	1 15/16	11/16	—	3	5/8	15/16	1/4	5.8	
STL8P42	42	5.250	5.50	P <sub>1</sub>	5A	1 1/4	23/16	1 15/16	11/16	—	3	5/8	15/16	1/4	6.9	
STL8P44	44	5.500	5.75	P <sub>1</sub>	5A	1 1/4	23/16	1 15/16	11/16	—	3	5/8	15/16	1/4	7.7	
STL8P48	48	6.000	6.25	P <sub>1</sub>	5A	1 1/4	23/16	1 15/16	11/16	—	3	5/8	15/16	1/4	9.2	
STL8P54	54	6.750	7.00	P <sub>1</sub>	5A	1 1/4	23/16	1 15/16	11/16	—	3	5/8	15/16	1/4	12.1	
STL8P56	56	7.000	7.25	P <sub>1</sub>	5A	1 1/4	23/16	1 15/16	11/16	—	3	5/8	15/16	1/4	6.6	
STL8P60	60	7.500	7.75	P <sub>1</sub>	5A	1 1/4	23/16	1 15/16	11/16	—	3	5/8	15/16	1/4	7.4	
STL8P64	64	8.000	8.25	P <sub>1</sub>	7C	1 1/4	23/16	1 15/16	11/16	—	3	5/8	15/16	1/4	7.7	
STL8P72	72	9.000	9.25	P <sub>1</sub>	7C	1 1/4	23/16	1 15/16	11/16	—	3	5/8	15/16	1/4	9.1	
STL8P80	80	10.000	10.25	P <sub>1</sub>	7C	1 1/4	23/16	1 15/16	11/16	—	3	5/8	15/16	1/4	10.6	
STL8P84	84	10.500	10.75	P <sub>1</sub>	7C	1 1/4	23/16	1 15/16	11/16	—	3	5/8	15/16	1/4	10.9	
STL8P88	88	11.000	11.25	P <sub>1</sub>	7C	1 1/4	23/16	1 15/16	11/16	—	3	5/8	15/16	1/4	11.9	
STL8P96	96	12.000	12.25	P <sub>1</sub>	7C	1 1/4	23/16	1 15/16	11/16	—	3	5/8	15/16	1/4	13.4	
STL8P112	112	14.000	14.25	P <sub>1</sub>	7C	1 1/4	23/16	1 15/16	11/16	—	3	5/8	15/16	1/4	16.9	
STL8P120	120	15.000	15.25	P <sub>1</sub>	7C	1 1/4	23/16	1 15/16	11/16	—	3	5/8	15/16	1/4	18.5	
STL8P128	128	16.000	16.25	P <sub>1</sub>	7C	1 1/4	23/16	1 15/16	11/16	—	3	5/8	15/16	1/4	21.8	
STL8P144	144	18.000	18.25	P <sub>1</sub>	7C	1 1/4	23/16	1 15/16	11/16	—	3	5/8	15/16	1/4	26.3	
STL8Q160	160	20.000	20.25	Q <sub>1</sub>	7C	1 1/4	225/32	2 1/2	1 1/4	—	4 1/8	3/4	1 3/4	9/32	32.2	

**Standard Keyseats**

**Bore Range**

Bushing	Bore Range
H	3/8" - 1 1/2"
P <sub>1</sub>	1/2" - 1 3/4"
Q <sub>1</sub>	3/4" - 2 11/16"

Bore Range	Keyseat	Bore Range	Keyseat
3/8" - 7/16"	None	15/16" - 1 3/8"	5/16X5/32
1/2" - 9/16"	1/8"x1/16"	1 7/16" - 1 3/4"	3/8X3/16
5/8" - 7/8"	3/16X3/32	1 13/16" - 2 1/4"	1/2X1/4
15/16" - 1 1/4"	1/4X1/8	25/16" - 2 11/16"	5/8X5/16

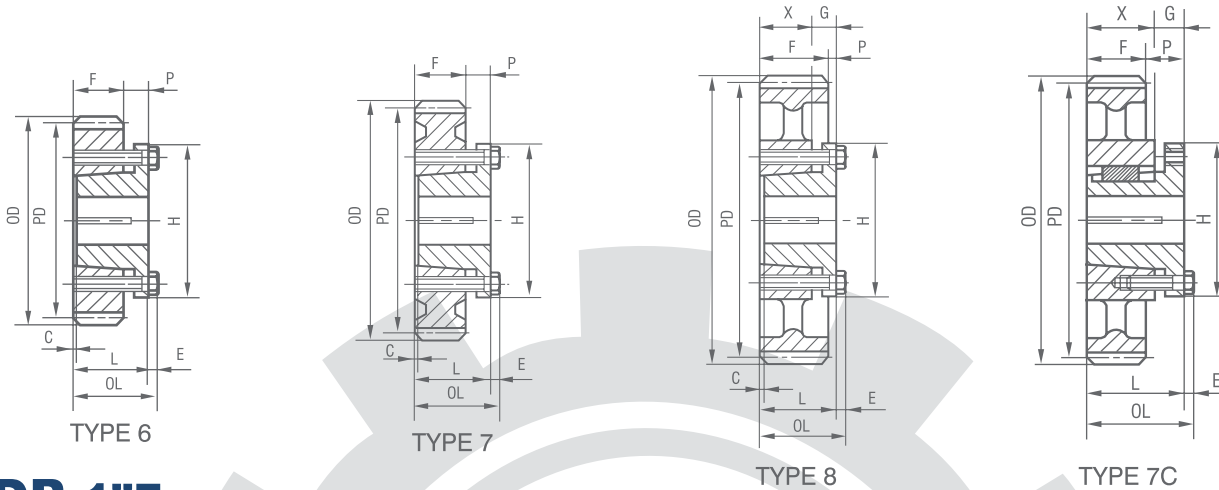
1 3/8" Bore Bushing also available with 3/8"x3/16" Keyseat.

**Taper Bore Spur Gears**

**STL**

**Steel Stock and Cast Iron**

Pressure Angle **14 1/2°**



**10DP 1"Face**

Part No.	Z	Diameter		Bush	Type	Dimensions									wt Lbs
		PD	OD			F	OL	L	P	C	H	G	X	E	
STL10G25	25	2.50	2.70	G	6	1	15/8	1	7/16	7/16	2	—	—	3/16	0.9
STL10H30	30	3.00	3.20	H	6	1	15/8	1 1/4	7/16	3/16	2 1/2	—	—	3/16	1.3
STL10H32	32	3.20	3.40	H	6	1	15/8	1 1/4	7/16	3/16	2 1/2	—	—	3/16	1.6
STL10H35	35	3.50	3.70	H	6	1	15/8	1 1/4	7/16	3/16	2 1/2	—	—	3/16	2.0
STL10H36	36	3.60	3.80	H	6	1	15/8	1 1/4	7/16	3/16	2 1/2	—	—	3/16	2.3
STL10H40	40	4.00	4.20	H	6	1	15/8	1 1/4	7/16	3/16	2 1/2	—	—	3/16	2.9
STL10H45	45	4.50	4.70	H	6	1	15/8	1 1/4	7/16	3/16	2 1/2	—	—	3/16	3.8
STL10H48	48	4.80	5.00	H	6	1	15/8	1 1/4	7/16	3/16	2 1/2	—	—	3/16	4.8
STL10H50	50	5.00	5.20	H	7	1	15/8	1 1/4	7/16	3/16	2 1/2	—	—	3/16	5.4
STL10H54	54	5.40	5.60	H	7	1	15/8	1 1/4	7/16	3/16	2 1/2	—	—	3/16	6.3
STL10H55	55	5.50	5.70	H	8	1	1 1/2	1 1/4	5/16	1/16	2 1/2	7/16	7/8	3/16	3.0
STL10H60	60	6.00	6.20	H	8	1	1 1/2	1 1/4	5/16	1/16	2 1/2	7/16	7/8	3/16	3.8
STL10H64	64	6.40	6.60	H	8	1	1 1/2	1 1/4	5/16	1/16	2 1/2	7/16	7/8	3/16	4.4
STL10H70	70	7.00	7.20	H	8	1	1 1/2	1 1/4	5/16	1/16	2 1/2	7/16	7/8	3/16	4.8
STL10H72	72	7.20	7.40	H	8	1	1 1/2	1 1/4	5/16	1/16	1 1/2	7/16	7/8	3/16	5.0
STL10H80	80	8.00	8.20	H	8	1	1 1/2	1 1/4	5/16	1/16	2 1/2	7/16	7/8	3/16	5.8
STL10H90	90	9.00	9.20	H	8	1	1 1/2	1 1/4	5/16	1/16	2 1/3	7/16	7/8	3/16	6.4
STL10H96	96	9.60	9.80	H	8	1	1 1/2	1 1/4	5/16	1/16	2 1/2	7/16	7/8	3/16	7.5
STL10H100	100	10.00	10.20	H	8	1	1 1/2	1 1/4	5/16	1/16	2 1/2	7/16	7/8	3/16	8.3
STL10P120	120	12.00	12.20	P <sub>1</sub>	7C	1	2 3/16	1 15/16	15/16	—	3	5/8	15/16	1/4	10.5
STL10P140	140	14.00	14.20	P <sub>1</sub>	7C	1	2 3/16	1 15/16	15/16	—	3	5/8	15/16	1/4	13.0
STL10P180	180	18.00	18.20	P <sub>1</sub>	7C	1	2 3/16	1 15/16	15/16	—	3	5/8	15/16	1/4	19.9
STL10P200	200	20.00	20.20	P <sub>1</sub>	7C	1	2 3/16	1 15/16	15/16	—	3	5/8	15/16	1/4	22.3

**Bore Range**

Bushing	Bore Range
G	3/8"-1"
H	3/8"-1 1/2"
P <sub>1</sub>	1/2"-1 3/4"



**Standard Keyseats**

Bore Range	Keyseats
3/8"-7/16"	None
1/2"-9/16"	1/8"X1/16"
5/8"-7/8"	3/16X3/32
15/16"-1 1/4"	1/4X1/8
15/16"-1 3/8"	5/16X5/32
17/16"-1 3/4"	3/8X3/16

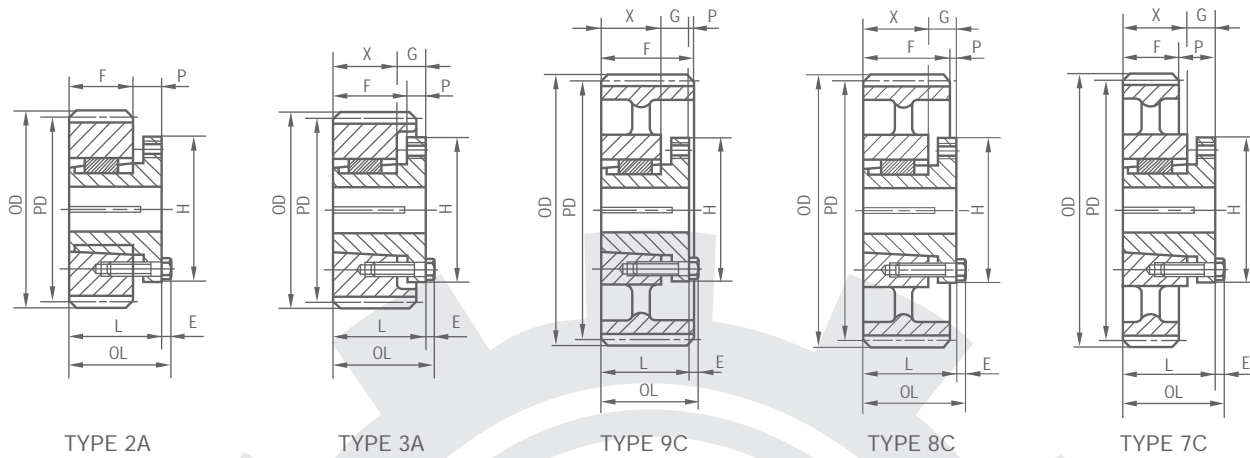
1 3/8" Bore Bushings Also available with 3/8"X3/16" Keyseat.

**T<sub>B</sub><sup>aper</sup>** **Spur Gears**

**STL**

**Steel Stock and Cast Iron**

Pressure Angle **20°**



**4DP 3 1/2" Face**

Part No.	Z	Diameter		Bush	Type	Dimensions									wt
		PD	OD			F	OL	L	P	C	H	G	X	E	Lbs
STL4Q20B	20	5.00	5.50	Q <sub>2</sub>	2A	3 1/2	4 17/32	3 1/2	3/4	3/4	4 1/8	—	—	9/32	12.9
STL4Q24B	24	6.00	6.50	Q <sub>2</sub>	2A	3 1/2	4 17/32	3 1/2	3/4	3/4	4 1/8	—	—	9/32	21.5
STL4Q28B	28	7.00	7.50	Q <sub>2</sub>	3A	3 1/2	3 25/32	3 1/2	—	—	4 1/8	3/4	2 3/4	9/32	29.4
STL4R32B	32	8.00	8.50	R <sub>1</sub>	3A	3 1/2	3 1/2	2 7/8	5/8	—	5 3/8	7/8	2	9/32	38.5
STL4R40B	40	10.00	10.50	R <sub>1</sub>	9C	3 1/2	3 1/2	2 7/8	5/8	—	5 3/8	7/8	2	9/32	42.7
STL4R44B	44	11.00	11.50	R <sub>1</sub>	9C	3 1/2	3 1/2	2 7/8	5/8	—	5 3/8	7/8	2	9/32	47.8
STL4R60B	60	15.00	15.50	R <sub>1</sub>	9C	3 1/2	3 1/2	2 7/8	5/8	—	5 3/8	7/8	2	9/32	67.5
STL4R64B	64	16.00	16.50	R <sub>1</sub>	9C	3 1/2	3 1/2	2 7/8	5/8	—	5 3/8	7/8	2	9/32	73.8
STL4R72B	72	18.00	18.50	R <sub>1</sub>	9C	3 1/2	3 1/2	2 7/8	5/8	—	5 3/8	7/8	2	9/32	84.0
STL4R80B	80	20.00	20.50	R <sub>1</sub>	9C	3 1/2	3 1/2	2 7/8	5/8	—	5 3/8	7/8	2	9/32	96.5
STL4R96B	96	24.00	24.50	R <sub>1</sub>	9C	3 1/2	3 1/2	2 7/8	5/8	—	5 3/8	7/8	2	9/32	124
STL4S112B	112	28.00	28.50	S <sub>1</sub>	8C	3 1/2	4 3/4	4 3/8	7/8	—	6 3/8	1 1/16	3 5/16	3/8	166
STL4S128B	128	32.00	32.50	S <sub>1</sub>	8C	3 1/2	4 3/4	4 3/8	7/8	—	6 3/8	1 1/16	3 5/16	3/8	199
STL4S160B	160	40.00	40.50	S <sub>1</sub>	8C	3 1/2	4 3/4	4 3/8	7/8	—	6 3/8	1 1/16	3 5/16	3/8	250

**5DP 2 1/2" Face**

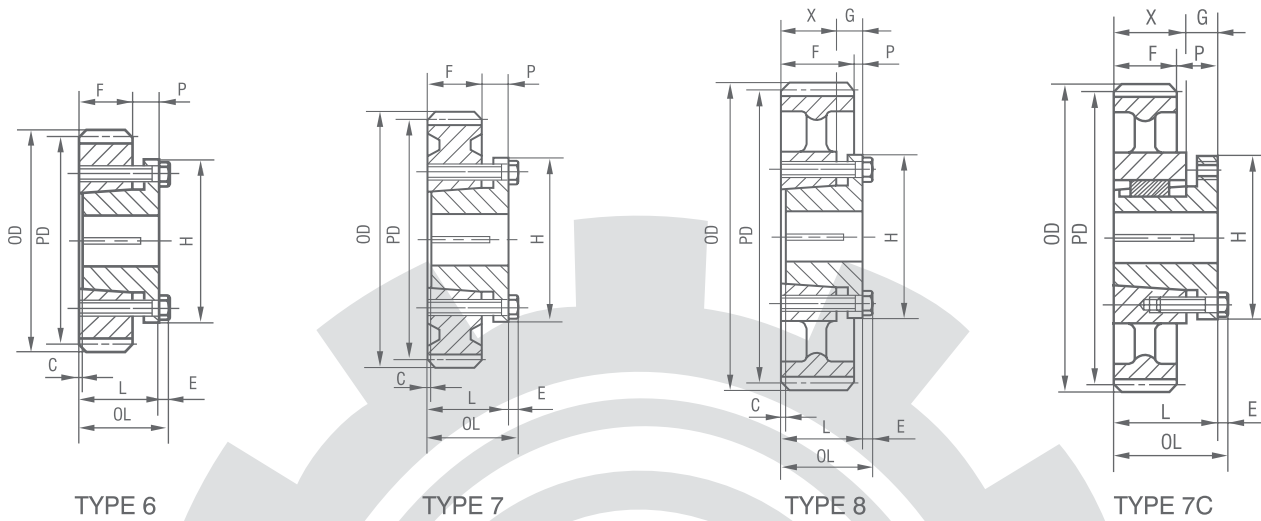
Part No.	Z	Diameter		Bush	Type	Dimensions									wt
		PD	OD			F	OL	L	P	C	H	G	X	E	Lbs
STL5P18B	18	3.60	4.00	P <sub>2</sub>	2A	2 1/2	3 3/8	2 15/16	5/8	3/16	3	—	—	1/4	4.9
STL5P20B	20	4.00	4.40	P <sub>2</sub>	2A	2 1/2	3 3/8	2 15/16	5/8	3/16	3	—	—	1/4	6.7
STL5P35B	35	7.00	7.40	P <sub>2</sub>	3A	2 1/2	3 3/16	2 15/16	7/16	—	3	5/8	2 5/16	1/4	24.0
STL5Q40B	40	8.00	8.40	Q <sub>1</sub>	8C	2 1/2	2 25/32	2 1/2	—	—	4 1/8	3/4	1 3/4	9/32	18.6
STL5Q45B	45	9.00	9.40	Q <sub>1</sub>	8C	2 1/2	2 25/32	2 1/2	—	—	4 1/8	3/4	1 3/4	9/32	22.2
STL5Q60B	60	12.00	12.40	Q <sub>1</sub>	8C	2 1/2	2 25/32	2 1/2	—	—	4 1/8	3/4	1 3/4	9/32	32.9
STL5Q70B	70	14.00	14.40	Q <sub>1</sub>	8C	2 1/2	2 25/32	2 1/2	—	—	4 1/8	3/4	1 3/4	9/32	35.9
STL5Q80B	80	16.00	16.40	Q <sub>1</sub>	8C	2 1/2	2 25/32	2 1/2	—	—	4 1/8	3/4	1 3/4	9/32	47.1
STL5Q90B	90	18.00	18.40	Q <sub>1</sub>	8C	2 1/2	2 25/32	2 1/2	—	—	4 1/8	3/4	1 3/4	9/32	52.0
STL5R100B	100	20.00	20.40	R <sub>1</sub>	8C	2 1/2	3 5/32	2 7/8	3/8	—	5 3/8	7/8	2	9/32	60.0
STL5R120B	120	24.00	24.40	R <sub>1</sub>	8C	2 1/2	3 5/32	2 7/8	3/8	—	5 3/8	7/8	2	9/32	77.0
STL5S140B	140	28.00	28.40	S <sub>1</sub>	7C	2 1/2	4 3/4	4 3/8	1 7/8	—	6 3/8	1 1/16	3 5/16	3/8	141

**T<sub>aper</sub>  
B<sub>ore</sub>** **Spur Gears**

**STL**

**Steel Stock and Cast Iron**

Pressure Angle **20°**



**12DP 1"Face**

Part No.	Z	Diameter		Bush	Type	Dimensions								wt Lbs	
		PD	OD			F	OL	L	P	C	H	G	X		E
STL12H36B	36	3.00	3.16	H	6	1	15/8	11/4	7/16	3/16	2 1/2	—	—	3/16	1.4
STL12H42B	42	3.50	3.66	H	6	1	15/8	11/4	7/16	3/16	2 1/2	—	—	3/16	2.0
STL12H48B	48	4.00	4.16	H	6	1	15/8	11/4	7/16	3/16	2 1/2	—	—	3/16	3.0
STL12H60B	60	5.00	5.16	H	7	1	15/8	11/4	7/16	3/16	2 1/2	—	—	3/16	3.5
STL12H72B	72	6.00	6.16	H	8	1	1 1/2	1 1/4	5/16	1/16	2 1/2	7/16	7/8	3/16	3.9
STL12H84B	84	7.00	7.16	H	8	1	1 1/2	1 1/4	5/16	1/16	2 1/2	7/16	7/8	3/16	4.5
STL12H96B	96	8.00	8.16	H	8	1	1 1/2	1 1/4	5/16	1/16	2 1/2	7/16	7/8	3/16	5.2
STL12H108B	108	9.00	9.16	H	8	1	1 1/2	1 1/4	5/16	1/16	2 1/2	7/16	7/8	3/16	5.8
STL12P144B	144	12.00	12.16	P <sub>1</sub>	7c	1	23/16	1 15/16	15/16	—	3	5/8	1 5/16	1/4	10.5

**Bore Range**

Bushing	Bore Range
G	3/8"-1"
H	3/8"-1 1/2"
P <sub>1</sub>	1/2"-1 3/4"

**Standard Keyseats**

Bore Range	Keyseats
3/8" & 7/16"	None
1/2" & 9/16"	1/8"x1/16"
5/8-7/8"	3/16X3/32
15/16-1 1/4"	1/4X1/8
15/16-1 3/8"	5/16X5/32
1 7/16-1 3/4"	3/8X3/16

1 3/8" Bore Bushings also available with 3/8"x3/16" Ks.

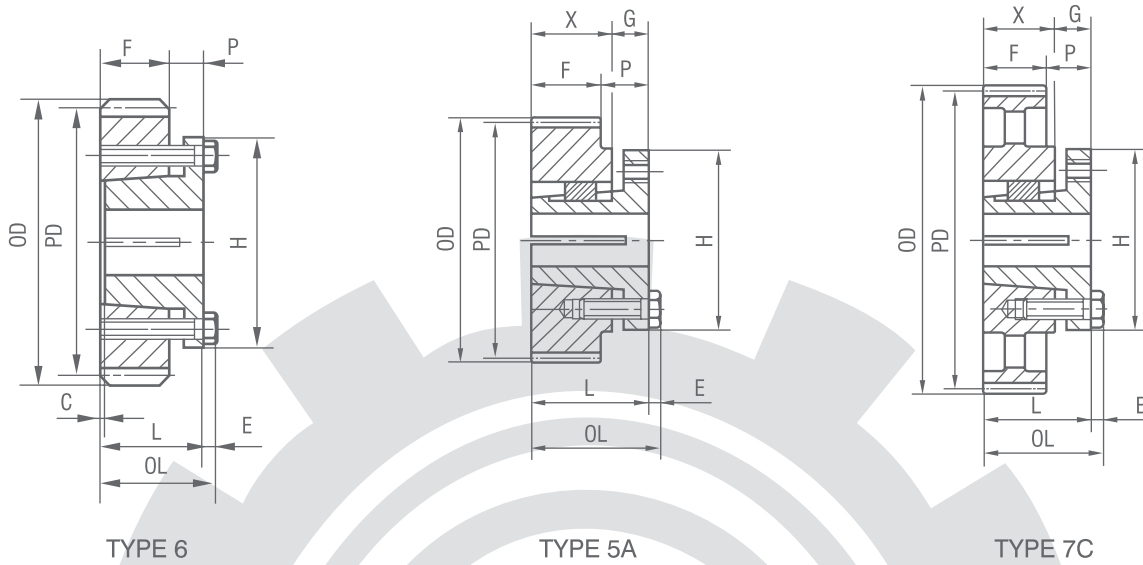


**T<sub>aper</sub>  
B<sub>ore</sub>** **Spur Gears**

**STL**

**Steel Stock and Cast Iron**

Pressure Angle **20°**

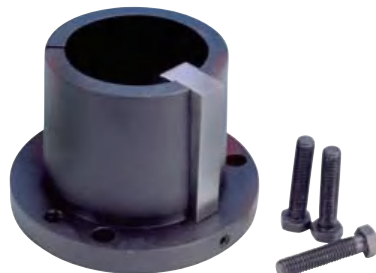


**10DP 1 1/4" Face**

Part No.	Z	Diameter		Bush	Type	Dimensions								wt Lbs	
		PD	OD			F	OL	L	P	C	H	G	X		E
STL10H30B	30	3.00	3.20	H	6	1 1/4	17/8	1 1/4	7/16	7/16	2 1/2	—	—	3/16	2.8
STL10H35B	35	3.50	3.70	H	6	1 1/4	17/8	1 1/4	7/16	7/16	2 1/2	—	—	3/16	3.0
STL10H40B	40	4.00	4.20	H	6	1 1/4	17/8	1 1/4	7/16	7/16	2 1/2	—	—	3/16	3.6
STL10P45B	45	4.50	4.70	P1	5A	1 1/4	23/16	1 15/16	11/16	—	3	5/8	15/16	1/4	4.5
STL10P55B	55	5.50	5.70	P1	5A	1 1/4	23/16	1 15/16	11/16	—	3	5/8	15/16	1/4	6.5
STL10P60B	60	6.00	6.20	P1	5A	1 1/4	23/16	1 15/16	11/16	—	3	5/8	15/16	1/4	9.5
STL10P70B	70	7.00	7.20	P1	7C	1 1/4	23/16	1 15/16	11/16	—	3	5/8	15/16	1/4	6.8
STL10P80B	80	8.00	8.20	P1	7C	1 1/4	23/16	1 15/16	11/16	—	3	5/8	15/16	1/4	7.9
STL10P100B	100	10.00	10.20	P1	7C	1 1/4	23/16	1 15/16	11/16	—	3	5/8	15/16	1/4	10.6
STL10P110B	110	11.00	11.20	P1	7C	1 1/4	23/16	1 15/16	11/16	—	3	5/8	15/16	1/4	12.4
STL10P140B	140	14.00	14.20	P1	7C	1 1/4	23/16	1 15/16	11/16	—	3	5/8	15/16	1/4	15.6
STL10P180B	180	18.00	18.20	P1	7C	1 1/4	23/16	1 15/16	11/16	—	3	5/8	15/16	1/4	25.6

**Bore Range**

Bushing	Bore Range
H1	3/8"-1 1/2"
P1	1/2"-1 3/4"
Q1	3/4"-2 11/16"



**Standard Keyseats**

Bore Range	Keyseats
3/8" & 7/16"	None
1/2" & 9/16"	1/8"X1/16"
5/8"-7/8"	3/16X3/32
15/16"-1 1/4"	1/4X1/8
15/16" & 1 3/8"	5/16X5/32
1 7/16"-1 3/4"	3/8X3/16
1 13/16"-2 1/4"	1/2X1/4
2 5/16"-2 11/16"	5/8X5/16

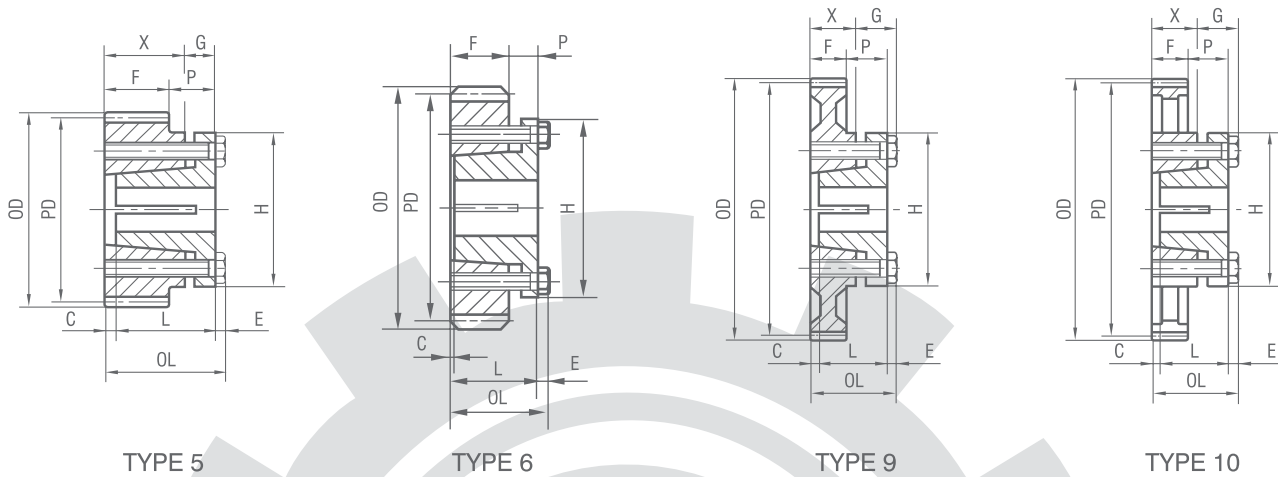
1 3/8" Bore Bushings also available with 3/8"X3/16" Ks.

**T<sub>aper</sub>  
B<sub>ore</sub>** **Spur Gears**

**STL**

**Steel Stock and Cast Iron**

Pressure Angle **20°**



**16DP 3/4"Face**

Part No.	Z	Diameter		Bush	Type	Dimensions									wt Lbs
		PD	OD			F	OL	L	P	C	H	G	X	E	
STL16G36B	36	2.250	2.37	G	6	3/4	13/8	1	7/16	3/16	2	—	—	3/16	0.6
STL16G40B	40	2.500	2.62	G	6	3/4	13/8	1	7/16	3/16	2	—	—	3/16	0.8
STL16H48B	48	3.000	3.12	H	5	3/4	1 1/2	1 1/4	9/16	1/16	2 1/2	7/16	7/8	3/16	1.0
STL16H56B	56	3.500	3.62	H	5	3/4	1 1/2	1 1/4	9/16	1/16	2 1/2	7/16	7/8	3/16	1.7
STL16H64B	64	4.000	4.12	H	5	3/4	1 1/2	1 1/4	9/16	1/16	2 1/2	7/16	7/8	3/16	2.3
STL16H80B	80	5.000	5.12	H	9	3/4	1 1/2	1 1/4	9/16	1/16	2 1/2	7/16	7/8	3/16	3.0
STL16H96B	96	6.000	6.12	H	10	3/4	1 1/2	1 1/4	9/16	1/16	2 1/2	7/16	7/8	3/16	3.5

**Bore Range**

Bushing	Bore Range
G	3/8"-1"
H	3/8-1 1/2



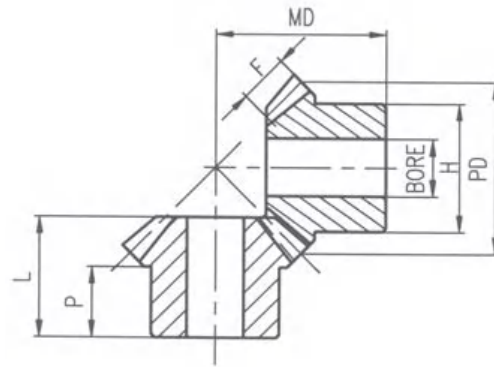
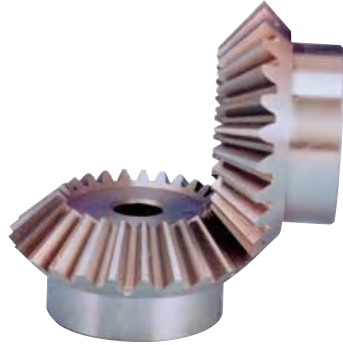
**Standard Keyseats**

Bore Range	Keyseats
3/8" & 7/16"	None
1/2 & 9/16	1/8X1/16
5/8-7/8	3/16X3/32
15/16-1 1/4	1/4X1/8
15/16 & 13/8	5/16X5/32
17/16 & 13/4	3/8X5/16

1 3/8" Bore Bushings also available with 3/8"X3/16" Ks.

# Steel Miter Gears

Pressure angle **20°**



## Steel - Plain Bore --- Unhardened Teeth

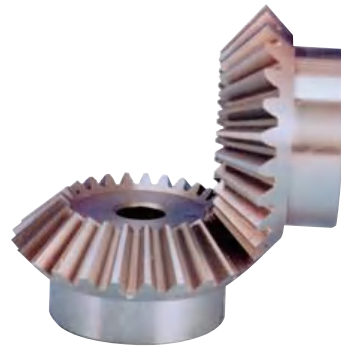
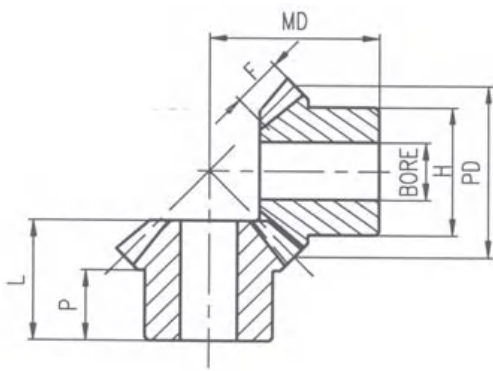
**1:1**

Pitch	Z	Part.No	PD	OD	MD	Bore			Dimensions			wt
						Stock	Max	F	L	P	H	Lbs
<b>4DP</b>	24	CAI-4DP24	6.00	6.36	5 1/2	1 1/2	2 3/8	1.330	39/16	1 15/16	4	14.5
	24	CAI-4DP24A	6.00	6.36	5 1/2	1 3/4	2 3/8	1.330	39/16	1 15/16	4	14.0
	28	CAI-4DP28	7.00	7.36	6	2	3	1.430	3 5/8	1 15/16	5	21.5
<b>5DP</b>	25	CAI-5DP25	5.00	5.29	4 5/8	1 3/8	2 1/4	1.100	3	1 3/4	3 1/2	8.8
	25	CAI-5DP25A	5.00	5.29	4 5/8	1 1/2	2 1/4	1.100	3	1 3/4	3 1/2	8.4
	25	CAI-5DP25B	5.00	5.29	4 5/8	1 3/4	2 1/4	1.100	3	1 3/4	3 1/2	7.8
<b>6DP</b>	24	CAI-6DP24	4.00	4.24	3 5/8	1 1/4	2	0.860	2 5/16	1 5/16	3	4.4
	24	CAI-6DP24A	4.00	4.24	3 5/8	1 1/2	2	0.860	2 5/16	1 5/16	3	4.3
	27	CAI-6DP27	4.50	4.74	4 1/8	1 1/4	2 3/16	0.960	2 5/8	1 1/2	3 1/4	6.3
	27	CAI-6DP27A	4.50	4.74	4 1/8	1 1/2	2 3/16	0.960	2 5/8	1 1/2	3 1/4	5.9
<b>8DP</b>	24	CAI-8DP24	3.00	3.18	2 9/16	3/4	1	0.640	1 37/64	1 13/16	1 3/4	1.5
	24	CAI-8DP24A	3.00	3.18	2 3/4	1	1 3/8	0.640	1 49/64	1	2 1/2	2.1
	24	CAI-8DP24B	3.00	3.18	2 3/4	1 1/4	1 5/8	0.640	1 49/64	1	2 1/2	1.9
	28	CAI-8DP28	3.50	3.68	3 1/4	1	1 5/8	0.750	2 3/32	1 1/4	2 1/2	2.9
	28	CAI-8DP28A	3.50	3.68	3 1/4	1 3/16	1 5/8	0.750	2 3/32	1 1/4	2 1/2	2.8
	28	CAI-8DP28B	3.50	3.68	3 1/4	1 1/4	1 5/8	0.750	2 3/32	1 1/4	2 1/2	2.6
<b>10DP</b>	32	CAI-8DP32	4.00	4.18	3 5/8	1	2	0.840	2 9/32	1 1/8	3	4.8
	20	CAI-10DP20A	2.00	2.14	2	1/2	7/8	0.440	1 23/64	1 13/16	1 5/8	0.75
	20	CAI-10DP20B	2.00	2.14	2	5/8	7/8	0.440	1 23/64	1 13/16	1 5/8	0.72
	20	CAI-10DP20	2.00	2.14	2	3/4	7/8	0.440	1 23/64	1 13/16	1 5/8	0.67
	20	CAI-10DP20C	2.00	2.14	2	7/8	7/8	0.440	1 23/64	1 13/16	1 5/8	0.58
	25	CAI-10DP25	2.50	2.64	2 7/16	3/4	1 1/4	0.550	1 5/8	1 5/16	2	1.2
	25	CAI-10DP25A	2.50	2.64	2 7/16	7/8	1 1/4	0.550	1 5/8	1 5/16	2	1.2
25	CAI-10DP25B	2.50	2.64	2 7/16	1	1 1/4	0.550	1 5/8	1 5/16	2	1.2	
<b>12DP</b>	30	CAI-10DP30	3.00	3.14	2 3/4	3/4	1 5/8	0.640	1 3/4	1	2	1.8
	15	CAI-12DP15	1.25	1.37	1 1/4	3/8	3/4	0.270	5 5/64	1/2	1	0.17
	15	CAI-12DP15A	1.25	1.37	1 1/4	7/16	3/4	0.270	5 5/64	1/2	1	0.16
	15	CAI-12DP15B	1.25	1.37	1 1/4	1/2	3/4	0.270	5 5/64	1/2	1	0.15
	18	CAI-12DP18	1.50	1.62	1 1/2	1/2	7/8	0.320	1 1/64	5/8	1 1/4	0.30
	18	CAI-12DP18A	1.50	1.62	1 1/2	5/8	7/8	0.320	1 1/64	5/8	1 1/4	0.25
	18	CAI-12DP18B	1.50	1.62	1 1/2	3/4	7/8	0.320	1 1/64	5/8	1 1/4	0.22
	21	CAI-12DP21	1.75	1.87	1 3/4	1/2	1	0.390	1 3/16	1 1/16	1 3/8	0.45
	21	CAI-12DP21A	1.75	1.87	1 3/4	9/16	1	0.390	1 3/16	1 1/16	1 3/8	0.45
	21	CAI-12DP21B	1.75	1.87	1 3/4	5/8	1	0.390	1 3/16	1 1/16	1 3/8	0.43
21	CAI-12DP21C	1.75	1.87	1 3/4	3/4	1	0.390	1 3/16	1 1/16	1 3/8	0.38	
<b>14DP</b>	24	CAI-12DP24	2.00	2.12	1 7/8	1/2	1	0.430	1 7/32	1 1/16	1 1/2	0.62
	30	CAI-12DP30	2.50	2.62	2 5/16	5/8	1 1/4	0.540	1 31/64	2 7/32	1 3/4	1.10
<b>14DP</b>	14	CAI-14DP14	1.00	1.11	1 1/16	3/8	5/8	0.190	4 7/64	1/2	7/8	0.10
	14	CAI-14DP14A	1.00	1.11	1 1/16	7/16	5/8	0.190	4 7/64	1/2	7/8	0.10
<b>16DP</b>	12	CAI-16DP12	0.75	0.84	1 3/16	5/16	7/16	0.160	3 7/64	3/8	5/8	0.10
	16	CAI-16DP16	1.00	1.09	1 1/16	3/8	1/2	0.220	3/4	7/16	3/4	0.10
	20	CAI-16DP20	1.25	1.34	1 1/4	7/16	5/8	0.270	2 7/32	1/2	1	0.20
	24	CAI-16DP24	1.50	1.59	1 3/8	1/2	7/8	0.310	7/8	1/2	1	0.20
<b>20DP</b>	20	CAI-20DP20	1.00	1.07	1 1/8	3/8	5/8	0.230	1 3/16	1/2	3/4	0.10
	25	CAI-20DP25	1.25	1.32	1 3/16	3/8	3/4	0.250	3/4	7/16	1	0.10
<b>24DP</b>	24	CAI-24DP24	1.00	1.06	2 9/32	1/4	1/2	0.200	9/16	9/32	5/8	0.10



# Steel Miter Gears

Pressure angle **20°**



## Steel - Plain Bore --- Hardened Teeth

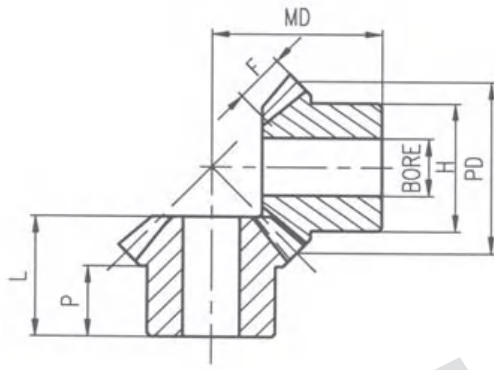
**1:1**

Pitch	Z	Part.No	PD	OD	MD	Bore		Dimensions				wt
						Stock	Max	F	L	P	H	Lbs
<b>4DP</b>	24	CAI-H4DP24	6.00	6.36	5 1/2	1 1/2	2 3/8	1.330	3 9/16	1 15/16	4	14.5
	24	CAI-H4DP24A	6.00	6.36	5 1/2	1 3/4	2 3/8	1.330	3 9/16	1 15/16	4	14.0
	28	CAI-H4DP28	7.00	7.36	6	2	3	1.430	3 5/8	1 15/16	5	21.5
<b>5DP</b>	25	CAI-H5DP25	5.00	5.29	4 5/8	1 3/8	2 1/4	1.100	3	1 3/4	3 1/2	8.8
	25	CAI-H5DP25A	5.00	5.29	4 5/8	1 1/2	2 1/4	1.100	3	1 3/4	3 1/2	8.4
	25	CAI-H5DP25B	5.00	5.29	4 5/8	1 3/4	2 1/4	1.100	3	1 3/4	3 1/2	7.8
<b>6DP</b>	24	CAI-H6DP24	4.00	4.24	3 5/8	1 1/4	2	0.860	2 5/16	1 5/16	3	4.4
	24	CAI-H6DP24A	4.00	4.24	3 5/8	1 1/2	2	0.860	2 5/16	1 5/16	3	4.3
	27	CAI-H6DP27	4.50	4.74	4 1/8	1 1/4	2 3/16	0.960	2 5/8	1 1/2	3 1/4	6.3
	27	CAI-H6DP27A	4.50	4.74	4 1/8	1 1/2	3/16	0.960	2 5/8	1 1/2	3 1/4	5.9
<b>8DP</b>	24	CAI-H8DP24	3.00	3.18	2 9/16	3/4	1	0.640	1 37/64	13/16	1 3/4	1.5
	24	CAI-H8DP24A	3.00	3.18	2 3/4	1	1 3/8	0.640	1 49/64	1	2 1/2	2.1
	24	CAI-H8DP24B	3.00	3.18	2 3/4	1 1/4	1 5/8	0.640	1 49/64	1	2 1/2	1.9
	28	CAI-H8DP28	3.50	3.68	3 1/4	1	1 5/8	0.750	2 3/32	1 1/4	2 1/2	2.9
	28	CAI-H8DP28A	3.50	3.68	3 1/4	1 3/16	1 5/8	0.750	2 3/32	1 1/4	2 1/2	2.8
	28	CAI-H8DP28B	3.50	3.68	3 1/4	1 1/4	1 5/8	0.750	2 3/32	1 1/4	2 1/2	2.6
<b>10DP</b>	32	CAI-H8DP32	4.00	4.18	3 5/8	1	2	0.840	2 9/32	1 1/8	3	4.8
	20	CAI-H10DP20A	2.00	2.14	2	1/2	7/8	0.440	1 23/64	13/16	1 5/8	0.75
	20	CAI-H10DP20B	2.00	2.14	2	5/8	7/8	0.440	1 23/64	13/16	1 5/8	0.72
	20	CAI-H10DP20	2.00	2.14	2	3/4	7/8	0.440	1 23/64	13/16	1 5/8	0.67
	20	CAI-H10DP20C	2.00	2.14	2	7/8	7/8	0.440	1 23/64	13/16	1 5/8	0.58
	25	CAI-H10DP25	2.50	2.64	2 7/16	3/4	1 1/4	0.550	1 5/8	1 5/16	2	1.2
	25	CAI-H10DP25A	2.50	2.64	2 7/16	7/8	1 1/4	0.550	1 5/8	1 5/16	2	1.2
25	CAI-H10DP25B	2.50	2.64	2 7/16	1	1 1/4	0.550	1 5/8	1 5/16	2	1.2	
<b>12DP</b>	30	CAI-H10DP30	3.00	3.14	2 3/4	3/4	1 5/8	0.640	1 3/4	1	2	1.8
	15	CAI-H12DP15	1.25	1.37	1 1/4	3/8	3/4	0.270	55/64	1/2	1	0.17
	15	CAI-H12DP15A	1.25	1.37	1 1/4	7/16	3/4	0.270	55/64	1/2	1	0.16
	15	CAI-H12DP15B	1.25	1.37	1 1/4	1/2	3/4	0.270	55/64	1/2	1	0.15
	18	CAI-H12DP18	1.50	1.62	1 1/2	1/2	7/8	0.320	1 1/64	5/8	1 1/4	0.30
	18	CAI-H12DP18A	1.50	1.62	1 1/2	5/8	7/8	0.320	1 1/64	5/8	1 1/4	0.25
	18	CAI-H12DP18B	1.50	1.62	1 1/2	3/4	7/8	0.320	1 1/64	5/8	1 1/4	0.22
	21	CAI-H12DP21	1.75	1.87	1 3/4	1/2	1	0.390	1 3/16	1 1/16	1 3/8	0.45
	21	CAI-H12DP21A	1.75	1.87	1 3/4	5/8	1	0.390	1 3/16	1 1/16	1 3/8	0.45
	24	CAI-H12DP24	2.00	2.12	1 7/8	1/2	1	0.430	1 7/32	1 1/16	1 1/2	0.62
30	CAI-H12DP30	2.50	2.62	2 5/16	5/8	1 1/4	0.540	1 31/64	2 7/32	1 1/2	1.10	
<b>14DP</b>	14	CAI-H14DP14	1.00	1.11	1 1/16	3/8	5/8	0.190	47/64	1/2	7/8	0.10
	14	CAI-H14DP14A	1.00	1.1	1 1/16	7/16	5/8	0.190	47/64	1/2	7/8	0.10
<b>16DP</b>	16	CAI-H16DP16	1.00	1.09	1 1/16	3/8	1/2	0.220	3/4	7/16	3/4	0.10
	24	CAI-H16DP24	1.50	1.59	1 3/8	1/2	7/8	0.310	7/8	1/2	1	0.20
<b>24DP</b>	24	CAI-H24DP24	1.00	1.06	2 9/32	1/4	1/2	0.200	9/16	9/32	5/8	0.10

# Steel Miter Gears

Pressure angle **20°**

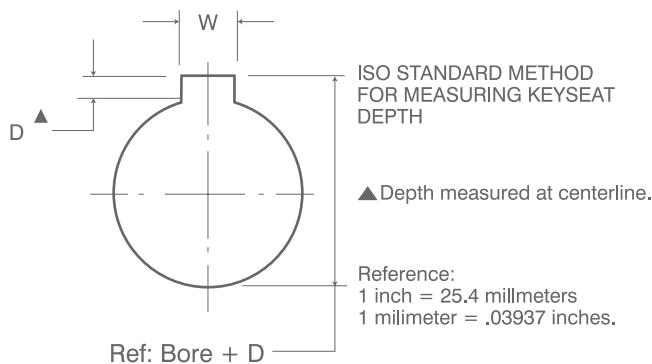
**F**<sup>inished</sup>  
**B**<sub>ore</sub>



## Steel - Furnished With Keyway and Set Screw

**1:1**

Pitch	Z	Part.No	PD	OD	MD	Bore		Dimensions				wt
						Stock	Max	F	L	P	H	Lbs
<b>4DP</b>	24	CAI-FB4DP24A	6.00	6.36	5 1/2	1 3/4	2 3/8	1.330	3 9/16	1 15/16	4	14.0
	28	CAI-FB4DP28	7.00	7.36	6	2	3	1.430	3 5/8	1 15/16	5	21.5
<b>5DP</b>	25	CAI-FB5DP25	5.00	5.29	4 5/8	1 3/8	2 1/4	1.100	3	1 3/4	3 1/2	8.8
	25	CAI-FB5DP25B	5.00	5.29	4 5/8	1 3/4	2 1/4	1.100	3	1 3/4	3 1/2	8.4
<b>6DP</b>	24	CAI-FB6DP24	4.00	4.24	3 5/8	1 1/4	2	0.860	2 5/16	1 5/16	3	4.4
	24	CAI-FB6DP24A	4.00	4.24	3 5/8	1 1/2	2	0.860	2 5/16	1 5/16	3	4.3
	27	CAI-FB6DP27	4.50	4.74	4 1/8	1 1/4	2 3/16	0.960	2 5/8	1 1/2	3 1/4	6.3
	27	CAI-FB6DP27A	4.50	4.74	4 1/8	1 1/2	2 3/16	0.960	2 5/8	1 1/2	3 1/4	5.9
<b>8DP</b>	24	CAI-FB8DP24	3.00	3.18	2 9/16	3/4	1	0.640	1 37/64	13/16	1 3/4	1.5
	24	CAI-FB8DP24A	3.00	3.18	2 3/4	1	1 3/8	0.640	1 49/64	1 1/16	2 1/2	2.1
	24	CAI-FB8DP24B	3.00	3.18	2 3/4	1 1/4	1 5/8	0.640	1 49/64	1 1/16	2 1/2	1.9
	28	CAI-FB8DP28	3.50	3.68	3 1/4	1	1 5/8	0.75	2 3/32	1 1/4	2 1/2	2.9
	28	CAI-FB8DP28A	3.50	3.68	3 1/4	1 3/16	1 5/8	0.750	2 3/32	1 1/4	2 1/2	2.8
	28	CAI-FB8DP28B	3.50	3.68	3 1/4	1 1/4	1 5/8	0.750	2 3/32	1 1/4	2 1/2	2.6
<b>10DP</b>	20	CAI-FB10DP20A	2.00	2.14	2	1/2	7/8	0.440	1 23/64	13/16	1 5/8	0.75
	20	CAI-FB10DP20B	2.00	2.14	2	5/8	7/8	0.440	1 23/64	13/16	1 5/8	0.72
	20	CAI-FB10DP20	2.00	2.14	2	3/4	7/8	0.440	1 23/64	13/16	1 5/8	0.67
	20	CAI-FB10DP20C	2.00	2.14	2	7/8	7/8	0.440	1 23/64	13/16	1 5/8	0.58
	25	CAI-FB10DP25	2.50	2.64	2 7/16	3/4	1 1/4	0.550	1 5/8	1 5/16	2	1.2
	25	CAI-FB10DP25A	2.50	2.64	2 7/16	7/8	1 1/4	0.550	1 5/8	1 5/16	2	1.2
	25	CAI-FB10DP25B	2.50	2.64	2 7/16	1	1 1/4	0.550	1 5/8	1 5/16	2	1.2
<b>12DP</b>	15	CAI-FB12DP15B	1.25	1.37	1 1/4	1/2	3/4	0.270	55/64	1/2	1	0.15
	18	CAI-FB12DP18A	1.50	1.62	1 1/2	5/8	7/8	0.320	1 1/64	5/8	1 1/4	0.25
	21	CAI-FB12DP21B	1.75	1.87	1 3/4	3/4	1	0.390	1 3/16	1 1/16	1 3/8	0.62
	30	CAI-FB12DP30	2.50	2.62	2 5/16	5/8	1 1/4	0.540	1 31/64	27/32	1 3/4	1.10
<b>16DP</b>	16	CAI-FB16DP16	1.00	1.09	1 1/16	3/8	1/2	0.220	3/4	7/16	3/4	0.10
	24	CAI-FB12DP24	1.50	1.59	1 3/8	1/2	7/8	0.310	7/8	1/2	1	0.20

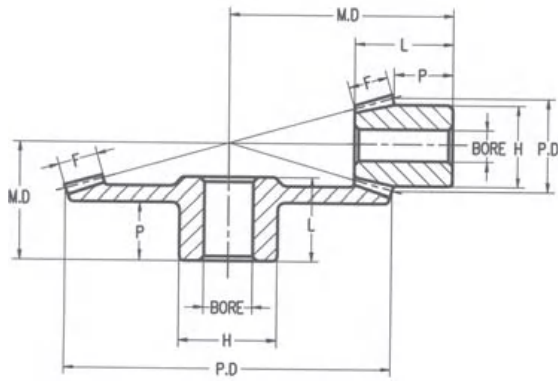


### Standard Keyseats

Bore Range	Keyseat
3/8"	3/32"X3/64"
1/2	1/8"X1/16"
5/8 to 7/8	3/16X3/32
15/16 to 1 1/4	1/4X1/8
17/16 to 1 3/4	3/8X3/16

# Steel Bevel Gears

Pressure angle **20°**



## 1:1.5 Specifications -- Unhardened Steel Bevel Gears

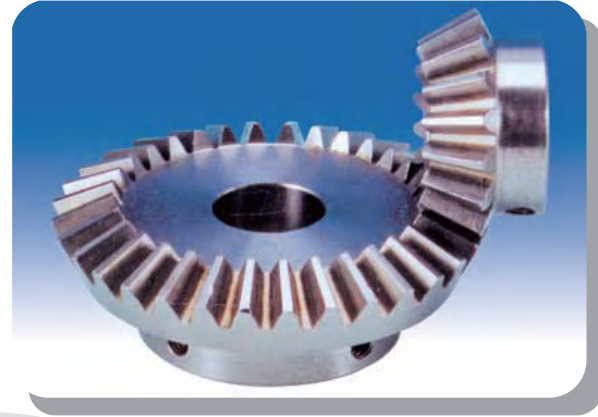
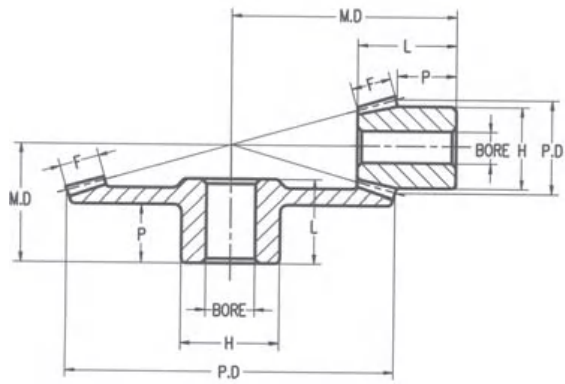
Pitch	Z	Part.No	PD	OD	MD	Bore		Dimensions				wt Lbs
						Stock	Max	F	L	P	H	
<b>10DP</b>	30	CA15-10DP30	3.00	3.08	2 1/4	3/4	1 1/2	0.570	17/16	1	2 1/2	1.7
	20	CA15-10DP20	2.00	2.21	2 1/2	3/4	1 5/16	0.570	1 33/64	29/32	1 3/4	0.8
<b>12DP</b>	27	CA15-12DP27	2.25	2.32	1 3/4	1/2	1 3/16	0.410	1 1/8	25/32	1 1/2	0.6
	18	CA15-12DP18	1.50	1.67	1 7/8	1/2	9/16	0.410	1 1/8	21/32	1 1/4	0.2
<b>16DP</b>	24	CA15-16DP24	1.50	1.55	1 3/16	1/2	9/16	0.250	3/4	9/16	1 1/8	0.2
	16	CA15-16DP16	1.00	1.13	1 1/4	3/8	7/16	0.250	47/64	7/16	1 3/16	0.1

## 1:2 Specifications -- Unhardened Steel Bevel Gears

Pitch	Z	Part.No	PD	OD	MD	Bore		Dimensions				wt Lbs
						Stock	Max	F	L	P	H	
<b>3DP</b>	30	CA2-3DP30	10.00	10.19	5 1/2	1 1/4	3	1.870	3 19/32	2	5	39.9
	15	CA2-3DP15	5.00	5.80	7 1/4	1 1/8	2	1.870	4 1/32	1 15/16	3 3/4	13.7
<b>4DP</b>	32	CA2-4DP32	8.00	8.10	4 1/4	1 1/8	2 1/4	1.400	2 11/16	1 9/16	3 3/4	17.6
	16	CA2-4DP16	4.00	4.60	6	1 1/8	1 7/8	1.400	3 11/32	1 13/16	3 1/4	7.5
<b>5DP</b>	30	CA2-5DP30	6.00	6.12	3 1/2	1 1/8	2 1/4	1.040	2 1/4	1 3/8	3 1/4	8.9
	15	CA2-5DP15	3.00	3.48	4 3/8	1	1 3/8	1.040	2 25/64	1 9/32	2 5/8	3.1
<b>6DP</b>	36	CA2-6DP36	6.00	6.10	3 1/2	1 1/8	2 1/4	1.060	2 1/4	1 1/2	3 1/4	8.4
	18	CA2-6DP18	3.00	3.42	4 3/4	1	1 7/16	1.060	2 49/64	1 5/8	2 1/2	3.4
	42	CA2-6DP42	7.00	7.10	3 3/4	1 1/8	2 1/4	1.050	2 19/64	1 1/2	3 1/2	11.4
	21	CA2-6DP21	3.50	3.90	5	1	1 5/8	1.050	2 33/64	1 1/4	2 1/2	3.8
	48	CA2-6DP48	8.00	8.10	3 7/16	1 1/8	2 1/4	1.170	1 57/64	1	3 1/4	11.8
<b>8DP</b>	24	CA2-6DP24	4.00	4.40	5 7/16	1	1 3/4	1.170	2 35/64	1 1/4	2 5/8	4.9
	40	CA2-8DP40	5.00	5.07	2 7/8	1	2	0.820	1 27/32	1 1/4	3	5.0
<b>10DP</b>	20	CA2-8DP20	2.50	2.80	4	7/8	1 1/4	0.820	2 9/32	1 13/32	2 1/8	3.0
	40	CA2-10DP40	4.00	4.06	2 1/2	7/8	2	0.710	1 11/16	1 3/16	3	3.7
<b>12DP</b>	20	CA2-10DP20	2.00	2.24	3 1/8	3/4	1 5/16	0.710	1 51/64	1 1/16	1 3/4	0.9
	50	CA2-10DP50	5.00	5.06	2 5/8	3/4	1 1/4	0.700	1 19/32	1	2	3.6
	25	CA2-10DP25	2.50	2.74	3 3/8	3/4	1 1/4	0.700	1 35/64	3/4	2	1.2
<b>14DP</b>	36	CA2-12DP36	3.00	3.05	1 1/2	5/8	1 5/16	0.460	7/8	1/2	1 7/16	1.4
	18	CA2-12DP18	1.50	1.70	2 1/4	1/2	5/8	0.460	1 13/64	1 1/16	1 1/4	0.4
	48	CA2-12DP48	4.00	4.05	2	5/8	7/8	0.590	1 11/64	3/4	1 5/8	1.5
	24	CA2-12DP24	2.00	2.20	2 7/8	1/2	1 3/16	0.590	1 7/16	3/4	1 1/2	0.8
<b>16DP</b>	28	CA2-14DP28	2.00	2.04	1 3/8	1/2	7/8	0.350	1 5/16	2 1/32	1 5/8	0.5
	14	CA2-14DP14	1.00	1.17	1 5/8	1/2	1/2	0.350	3 1/32	9/16	1 3/16	0.1
<b>16DP</b>	24	CA2-16DP24	1.50	1.54	1	1/2	5/8	0.190	5/8	7/16	1	0.2
	12	CA2-16DP12	0.75	0.91	1 1/8	3/8	1/2	0.190	3 7/64	1 1/32	2 1/32	0.1
	32	CA2-16DP32	2.00	2.04	1 3/16	1/2	3/8	0.350	4 9/64	1/2	1 1/8	0.2
	16	CA2-16DP16	1.00	1.15	1 1/2	3/8	7/16	0.350	2 7/32	7/16	1 3/16	0.1

# Steel Bevel Gears

Pressure angle **20°**



## 1:3 Specifications -- Unhardened Steel Bevel Gears

Pitch	Z	Part.No	PD	OD	MD	Bore		Dimensions				wt Lbs
						Stock	Max	F	L	P	H	
<b>4DP</b>	42	CA3-4DP42	10.50	10.59	4	1 1/8	2 1/4	1.420	2 11/16	1 1/2	3 3/4	26.4
	14	CA3-4DP14	3.50	4.17	7 1/4	1 1/8	1 13/16	1.420	3 27/64	1 15/16	3 1/4	7.0
<b>5DP</b>	45	CA3-5DP45	9.00	9.07	3 3/4	1 1/4	2 1/4	1.310	2 1/2	1 11/16	3 3/4	17.1
	15	CA3-5DP15	3.00	3.54	5 7/8	1	1 1/2	1.310	2 11/16	1 5/16	2 5/8	3.6
<b>6DP</b>	45	CA3-6DP45	7.50	7.56	3	1 1/8	2 1/4	1.070	2 1/8	1 1/4	3 1/4	10.6
	15	CA3-6DP15	2.50	2.94	5 1/4	7/8	1 1/4	1.070	2 9/16	1 7/16	2 1/8	2.3
<b>8DP</b>	48	CA3-8DP48	6.00	6.05	2 3/8	7/8	1 13/16	0.840	1 5/8	1	2 3/4	5.3
	16	CA3-8DP16	2.00	2.33	4 1/4	3/4	1	0.840	2 5/64	1 3/16	1 3/4	1.2
<b>10DP</b>	60	CA3-10DP60	6.00	6.04	2 3/4	7/8	2	0.780	1 29/32	1 3/8	3	6.3
	20	CA3-10DP20	2.00	2.27	4 3/8	3/4	1	0.780	2 5/32	1 5/16	1 3/4	1.2
<b>12DP</b>	54	CA3-12DP54	4.50	4.53	1 3/4	5/8	1	0.600	1 1/16	3/4	1 3/4	1.7
	18	CA3-12DP18	1.50	1.72	3	1/2	9/16	0.600	1 11/32	1 1/16	1 1/4	0.4
<b>16DP</b>	48	CA3-16DP48	3.00	3.02	1 5/16	5/8	1 3/16	0.420	7/8	9/16	1 1/2	0.8
	16	CA3-16DP16	1.00	1.17	2	7/16	7/16	0.420	5 9/64	1 5/32	7/8	0.1

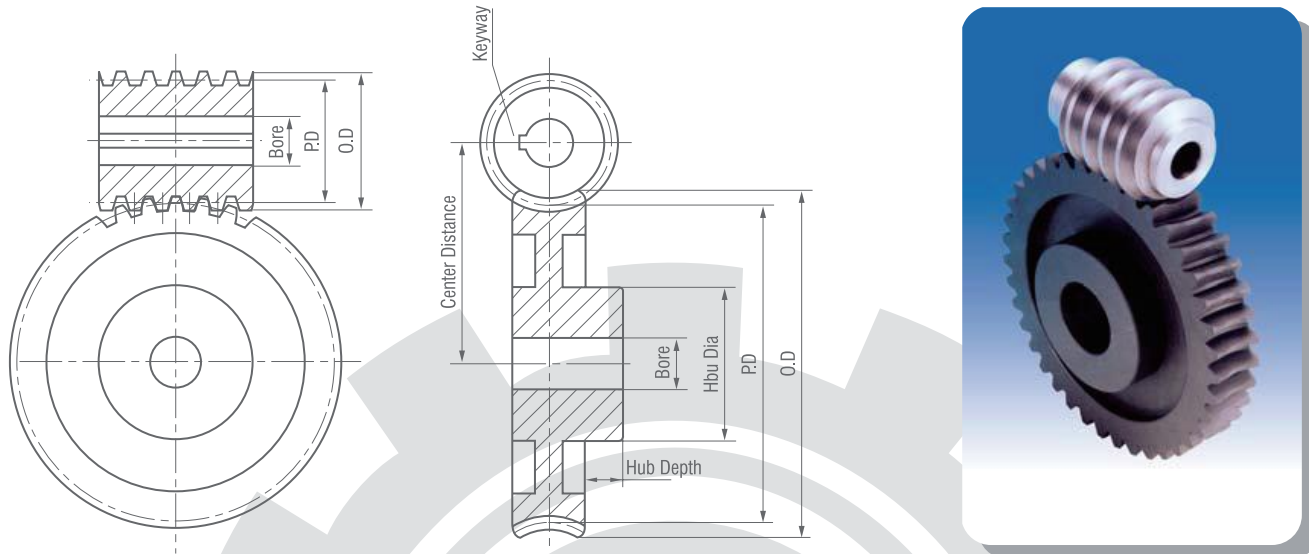
## 1:4 Specifications -- Unhardened Steel Bevel Gears

Pitch	Z	Part.No	PD	OD	MD	Bore		Dimensions				wt Lbs
						Stock	Max	F	L	P	H	
<b>4DP</b>	56	CA4-4DP56	14.00	14.07	4 1/4	1 1/4	2 5/8	1.690	2 7/8	1 5/8	4 1/4	48.7
	14	CA4-4DP14	3.50	4.20	9	1 1/8	1 7/8	1.690	3 35/64	1 15/16	3 1/4	7.6
<b>5DP</b>	60	CA4-5DP60	12.00	12.05	3 3/4	1 1/4	2 3/8	1.700	2 5/8	1 9/16	4	31.2
	15	CA4-5DP15	3.00	3.56	7 1/2	1	1 9/16	1.700	3 13/64	1 7/16	2 1/2	5.0
<b>6DP</b>	60	CA4-6DP60	10.00	10.04	3 1/4	1 1/8	2 1/4	1.210	2 1/4	1 3/8	3 1/4	17.6
	15	CA4-6DP15	2.50	2.97	6 3/4	1	1 3/8	1.210	2 31/32	1 23/32	2 1/4	3.3
<b>8DP</b>	64	CA4-8DP64	8.00	8.03	2 3/4	1	1 13/16	0.840	1 7/8	1 1/4	2 3/4	9.7
	16	CA4-8DP16	2.00	2.35	5 1/4	7/8	1 1/8	0.840	2 3/32	1 7/32	1 7/8	1.3
	72	CA4-8DP72	9.00	9.03	3 1/4	1 1/8	2	1.220	2 5/16	1 11/16	3	12.3
	18	CA4-8DP18	2.25	2.60	5 3/4	7/8	1 1/4	1.220	2 15/32	1 7/32	2 1/8	1.9
<b>10DP</b>	60	CA4-10DP60	6.00	6.03	2 1/4	7/8	1 5/8	0.720	1 5/8	1 1/8	2 1/2	4.6
	15	CA4-10DP15	1.50	1.78	3 7/8	5/8	3/4	0.720	1 33/64	2 7/32	1 7/16	0.6
<b>12DP</b>	72	CA4-12DP72	6.00	6.02	2	3/4	1 1/4	0.600	1 5/16	6 1/64	2	3.1
	18	CA4-12DP18	1.50	1.73	3 3/4	1/2	9/16	0.600	1 39/64	2 3/32	1 1/4	0.4
<b>16DP</b>	64	CA4-16DP64	4.00	4.02	1 3/8	5/8	1 3/8	0.480	5 7/64	9/16	2 1/4	1.6
	16	CA4-16DP16	1.00	1.17	2 1/2	1/2	5/8	0.480	6 3/64	1 5/32	1 3/16	0.1

# Worm and Worm Gears

**14 1/2°** Pressure Angle

**3DP**



CSP

**Right Hand Single Thread -- Stocked Right Hand Only**

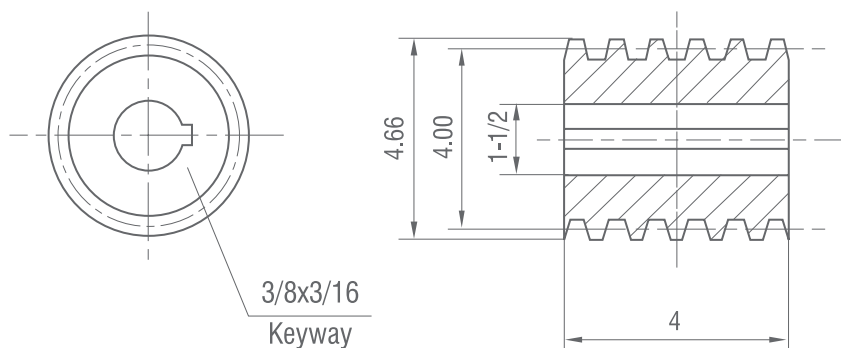
**3DP 2" Face**

**Cast Iron and Bronze**

PART NUMBER	Z	PD	Bore	Hub Dia	Hub Depth	wt Lbs	Style
WG318	18	6.00	1	3	1 1/2	16.2	CWE.CSP
WG324	24	8.00	1 1/2	3 1/2	1 1/2	22.8	CSP
WG330	30	10.00	1 1/2	3 1/2	1 1/2	30.2	CSP
WG336	36	12.00	1 1/2	3 1/2	1 1/2	36.4	CSP
WG354	54	18.00	1 1/2	4	1 1/2	60.2	CSP

**1 Single Steel -- 4° 46' Helix Angle Worms**

**W3-S**



CWE

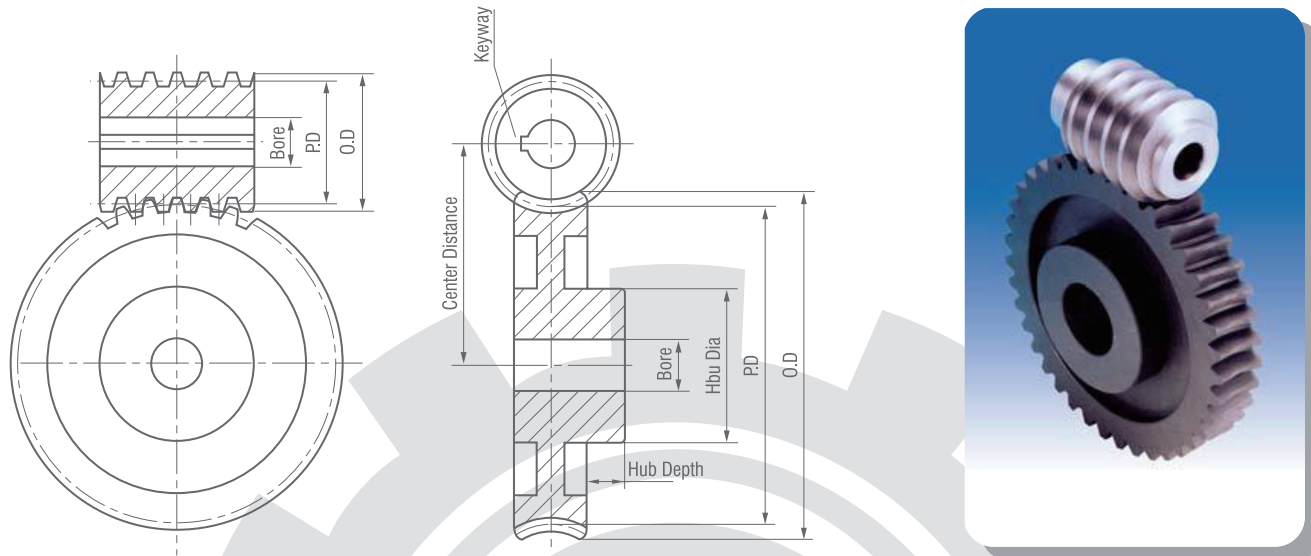


CPL

# Worm and Worm Gears

**4DP**

**14 1/2°** Pressure Angle



**Right Hand Single Thread -- Stocked Right Hand Only**

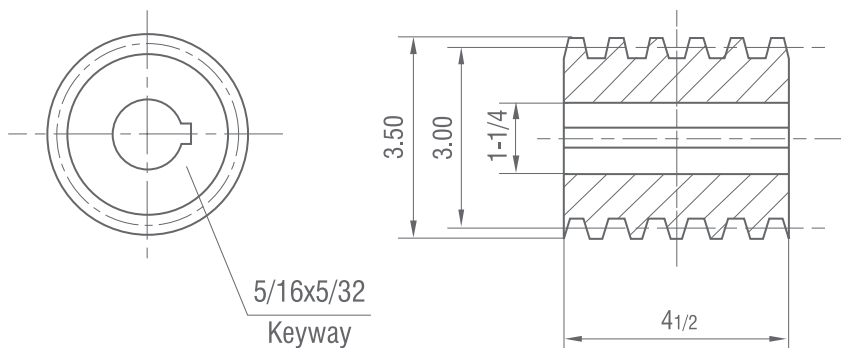
**4DP 1 1/2" Face**

**Cast Iron and Bronze**

PART NUMBER	Z	PD	Bore	Hub Dia	Hub Depth	Wt Lbs	Style
WG420	20	5.00	1	2 1/2	1 1/4	8.4	CWE,CSP
WG424	24	6.00	1	2 1/2	1 1/4	12.9	CWE,CSP
WG432	32	8.00	1 1/4	3	1 1/4	15.6	CWE,CSP
WG440	40	10.00	1 1/4	3	1 1/4	27.5	CWE,CSP
WG448	48	12.00	1 1/2	4	1 1/4	34.1	CWE,CSP
WG464	64	16.00	1 1/2	4	1 1/4	43.9	CSP

**1 Single Steel -- 4° 46' Helix Angle Worms**

**W4-S**



CWE

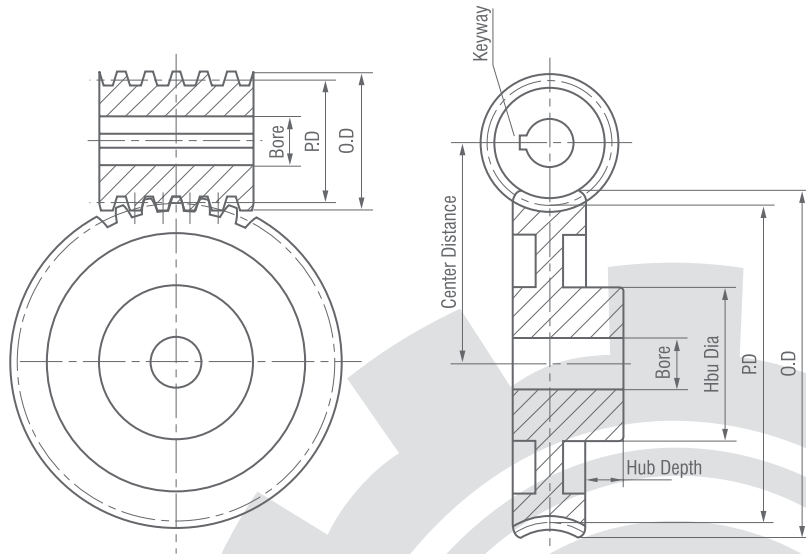


CPL

# Worm and Worm Gears

**14 1/2°** Pressure Angle

**6DP**



CSP

Right Hand Single Thread -- Stocked Right Hand Only

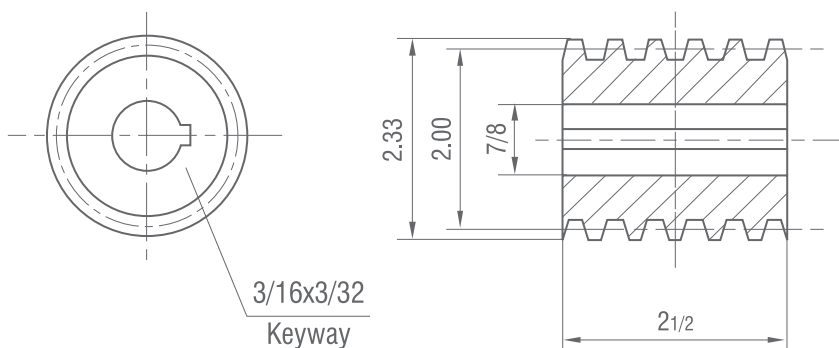
**6DP 1" Face**

Cast Iron and Bronze

PART NUMBER	Z	PD	Bore	Hub Dia	Hub Depth	wt Lbs	Style
WG620	20	3.333	3/4	1 7/8	7/8	2.5	CWE, CSP
WG624	24	4.000	3/4	1 7/8	7/8	3.6	CWE, CSP
WG630	30	5.000	7/8	2 1/4	7/8	5.0	CWE, CSP
WG636	36	6.000	1	2 1/2	7/8	6.0	CWE, CSP
WG640	40	6.667	1	2 1/2	7/8	7.6	CWE, CSP
WG648	48	8.000	1 1/4	2 3/4	1	9.2	CWE, CSP
WG660	60	10.000	1 1/4	3	1 1/4	13.7	CWE, CSP
WG672	72	12.000	1 1/4	3	1 1/4	14.9	CWE, CSP

**1 Single Steel -- 4° 46' Helix Angle Worms**

**W6-S**



CWE

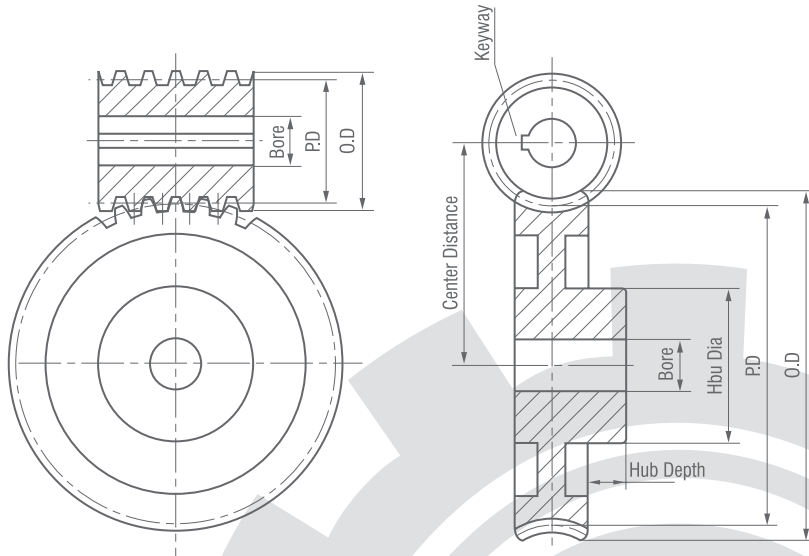


CPL

# Worm and Worm Gears

**14 1/2°** Pressure Angle

**6DP**



CSP

**Right Hand Double Thread -- Stocked Right Hand Only**

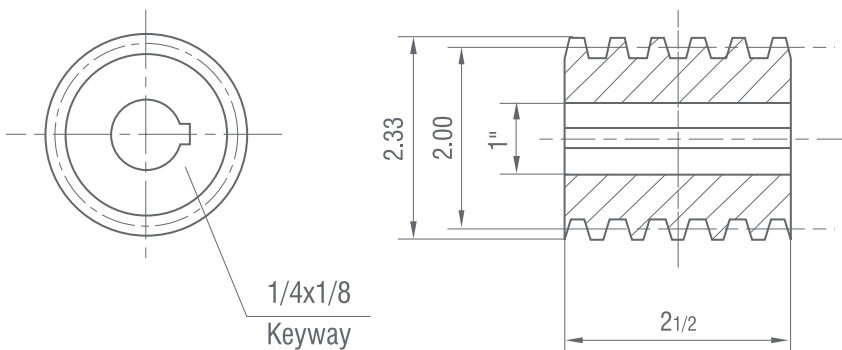
**6DP 1" Face**

**Cast Iron and Bronze**

PART NUMBER	Z	PD	Bore	Hub Dia	Hub Depth	wt Lbs	Style
WG620D	20	3.333	1	2 3/4	1	3.3	CPL
WG624D	24	4.000	1 1/4	2 3/4	1	4.1	CPL
WG630D	30	5.000	1 1/4	2 3/4	1	5.2	CWE,CSP
WG640D	40	6.667	1 1/4	2 3/4	1	7.6	CWE,CSP

**2 Double Steel -- 9° 28' Helix Angle Worms**

**W6-D**



CWE



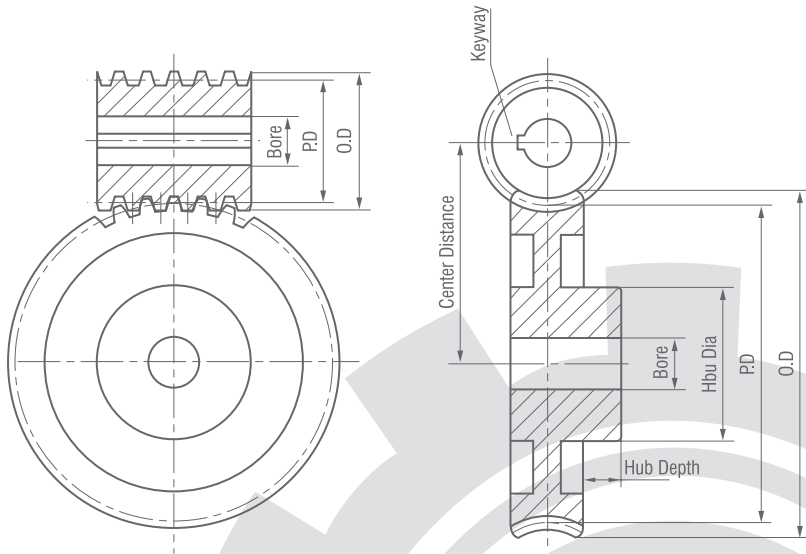
CPL



# Worm and Worm Gears

**6DP**

**14 1/2°** Pressure Angle



CSP

Right Hand Quadruple Thread -- Stocked Right Hand Only

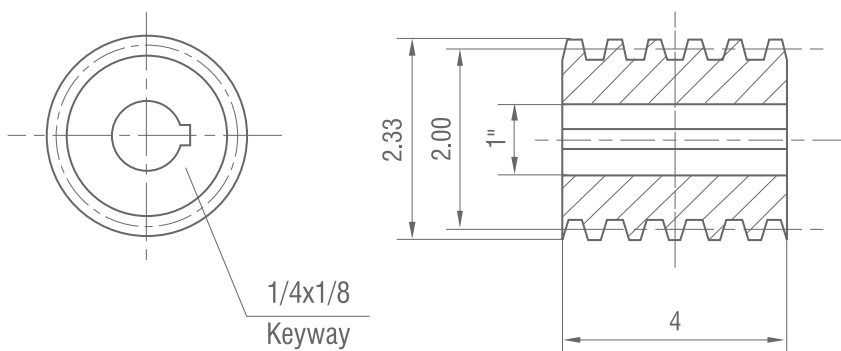
**6DP 1" Face**

Cast Iron and Bronze

PART NUMBER	Z	PD	Bore	Hub Dia	Hub Depth	wt Lbs	Style
WG620Q	20	3.333	1	2 3/4	1	3.4	CPL
WG624Q	24	4.000	1 1/4	2 3/4	1	4.1	CPL

**4 Quadruple Steel -- 18° 26' Helix Angle Worms**

**W6-Q**



CWE

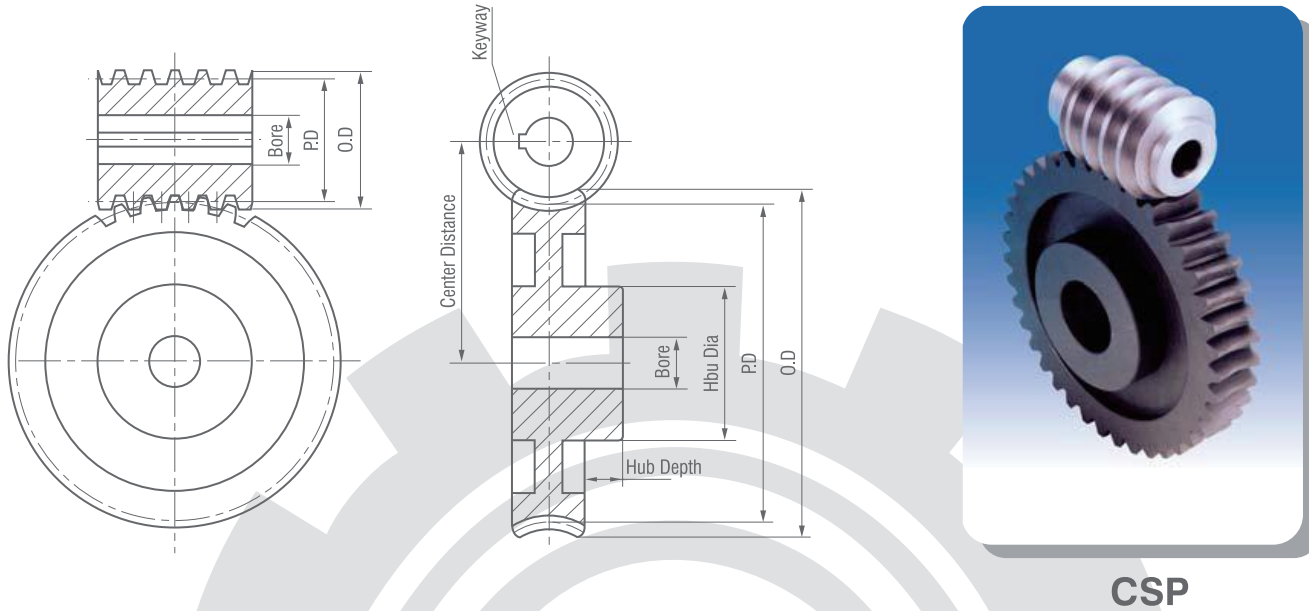


CPL

# Worm and Worm Gears

**14 1/2°** Pressure Angle

**8DP**



Right Hand Single Thread -- Stocked Right Hand Only

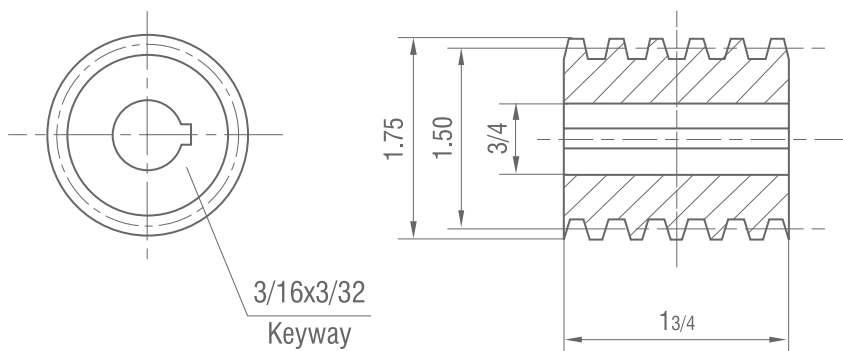
**8DP 3/4" Face**

Cast Iron and Bronze

PART NUMBER	Z	PD	Bore	Hub Dia	Hub Depth	wt Lbs	Style
WG820	20	2.500	3/4	1 3/4	3/4	1.3	CPL
WG830	30	3.750	3/4	1 3/4	3/4	2.4	CPL
WG840	40	5.000	1	2 3/8	7/8	3.7	CWE.CSP
WG848	48	6.000	1	2 3/8	7/8	4.5	CWE.CSP
WG850	50	6.250	1	2 3/8	7/8	5.1	CWE.CSP
WG860	60	7.500	1	2 1/2	7/8	6.1	CWE.CSP
WG880	80	10.000	1 1/4	3	7/8	8.9	CWE.CSP

**1 Single Steel -- 4° 46' Helix Angle Worms**

**W8-S**



CWE

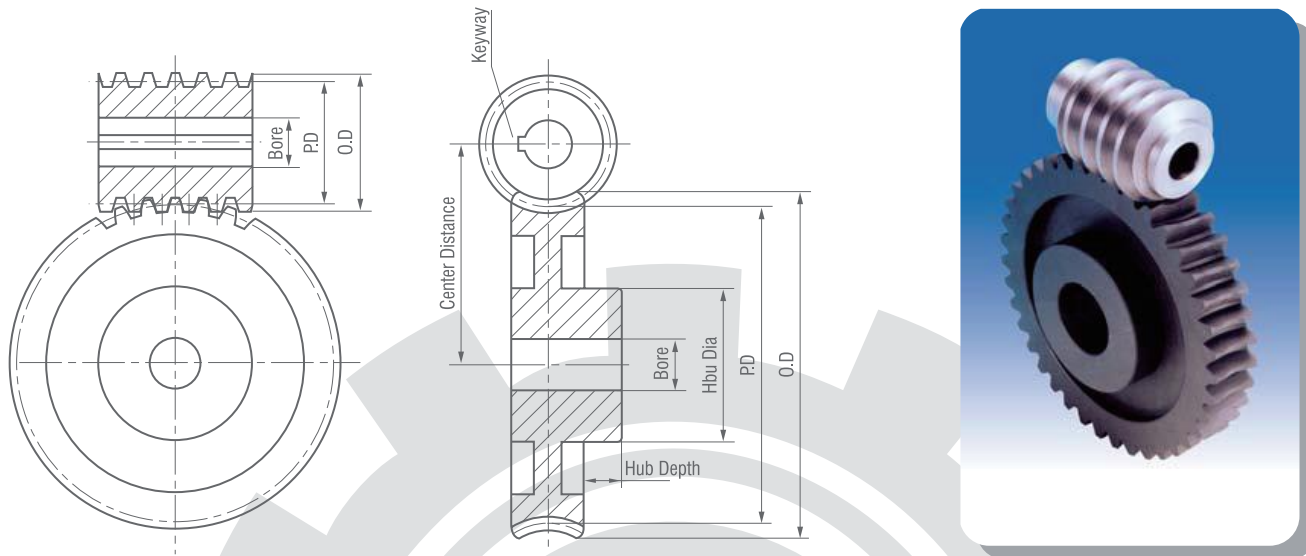


CPL

# Worm and Worm Gears

**8DP**

**14 1/2°** Pressure Angle



CSP

**Right Hand Double Thread -- Stocked Right Hand Only**

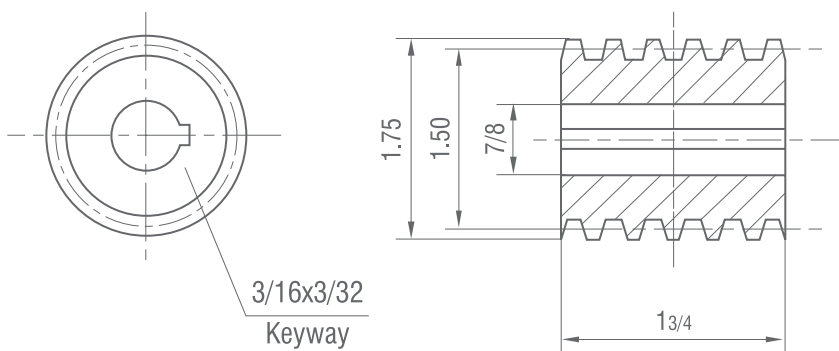
**8DP 3/4" Face**

**Cast Iron and Bronze**

PART NUMBER	Z	PD	Bore	Hub Dia	Hub Depth	wt Lbs	Style
WG820D	20	2.500	1	2	3/4	1.2	CPL
WG830D	30	3.750	1	2 1/4	3/4	2.5	CPL,CSP
WG840D	40	5.000	1	2 1/4	3/4	3.4	CWE,CSP

**2 Double Steel -- 9° 28' Helix Angle Worms**

**W8-D**



CWE

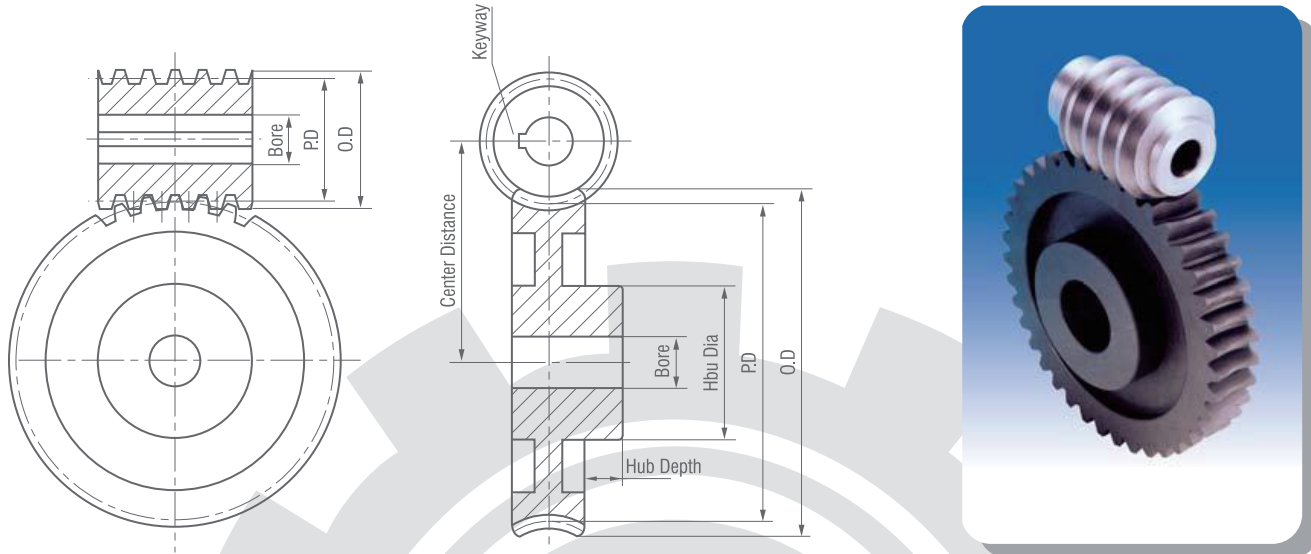


CPL

# Worm and Worm Gears

**14 1/2°** Pressure Angle

**8DP**



CSP

Right Hand Quadruple Thread -- Stocked Right Hand Only

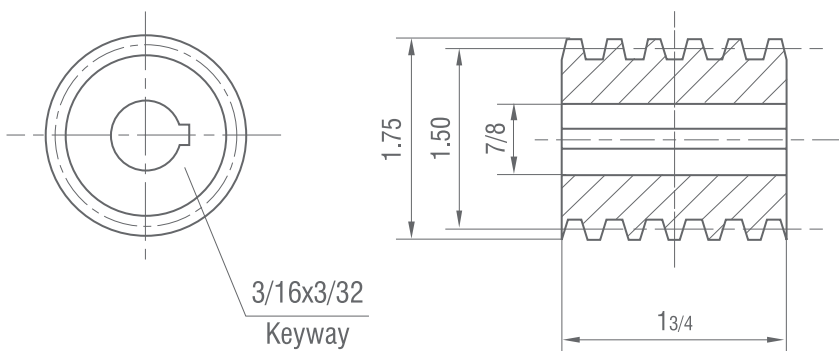
**8DP 3/4" Face**

Cast Iron and Bronze

PART NUMBER	Z	PD	Bore	Hub Dia	Hub Depth	wt Lbs	Style
WG820Q	20	2.500	1	2	3/4	1.2	CPL
WG830Q	30	3.750	1	2 1/4	3/4	2.5	CPL,CSP

**4 Quadruple Steel -- 18 26' Helix Angle Worms**

**W8-Q**



CWE

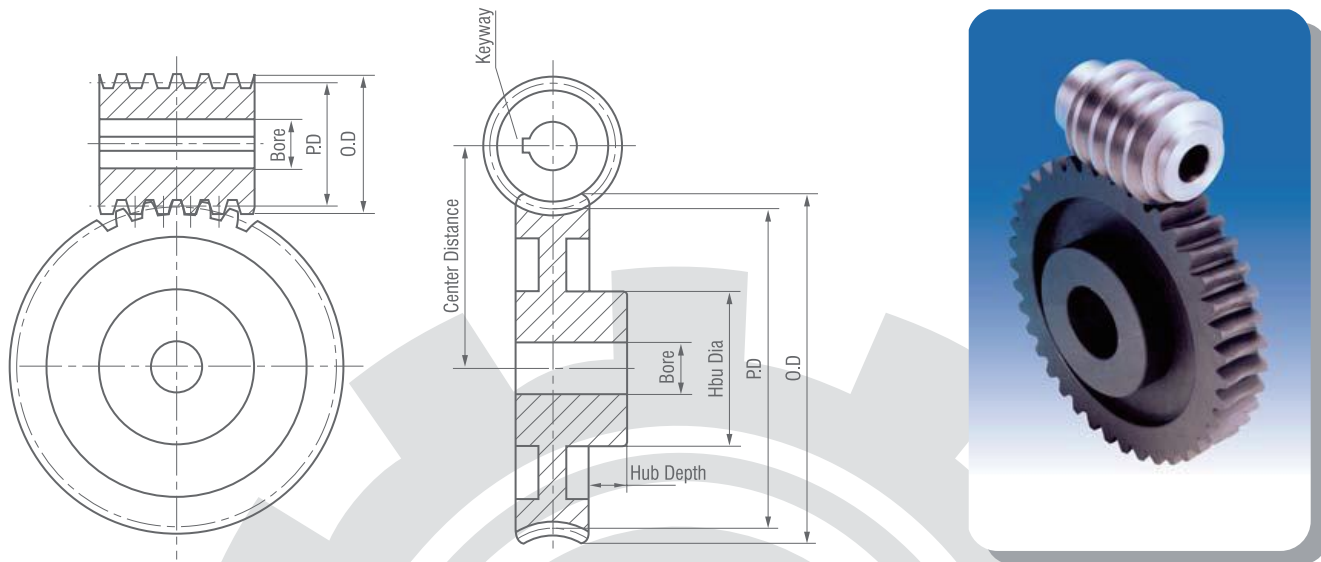


CPL

# Worm and Worm Gears

**14 1/2°** Pressure Angle

**10DP**



CSP

**Right Hand Single Thread -- Stocked Right Hand Only**

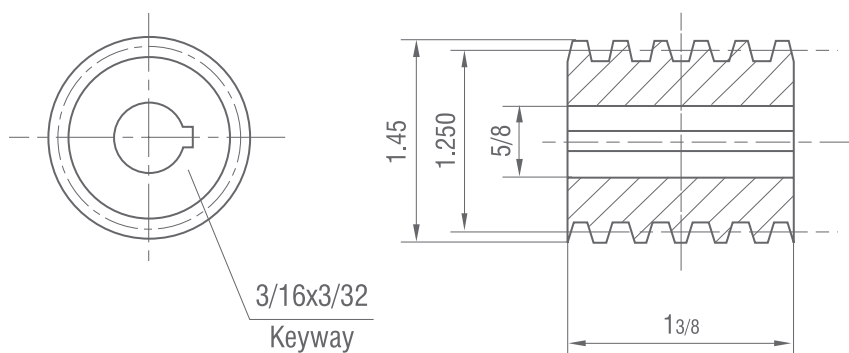
**10DP 5/8" Face**

**Cast Iron and Bronze**

PART NUMBER	Z	PD	Bore	Hub Dia	Hub Depth	wt Lbs	Style
WG1020	20	2.00	1/2	1 1/4	3/4	0.7	CPL
WG1030	30	3.00	5/8	1 3/4	3/4	1.5	CPL
WG1040	40	4.00	5/8	1 3/4	3/4	1.8	CWE,CSP
WG1050	50	5.00	3/4	2	3/4	2.8	CWE,CSP
WG1060	60	6.00	3/4	2	3/4	3.6	CWE,CSP
WG1080	80	8.00	3/4	2	3/4	4.8	CWE,CSP
WG1080	100	10.00	3/4	2	3/4	6.0	CWE,CSP

**1 Single Steel -- 4° 34' Helix Angle Worms**

**W10-S**



CWE

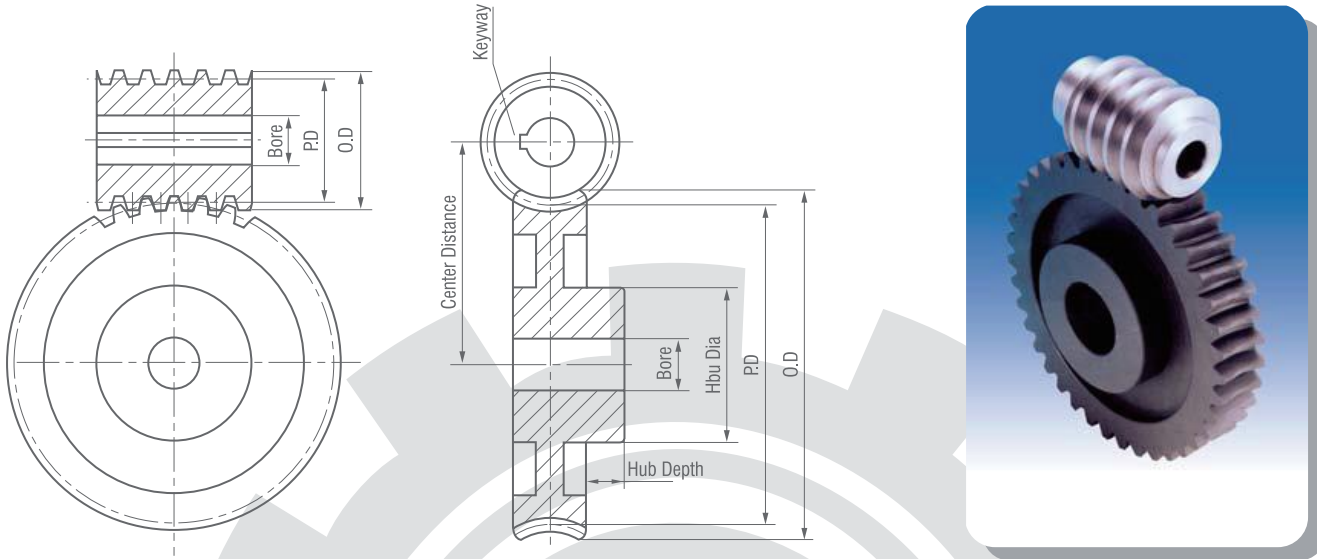


CPL

# Worm and Worm Gears

**14 1/2°** Pressure Angle

**10DP**



CSP

Right Hand Double Thread -- Stocked Right Hand Only

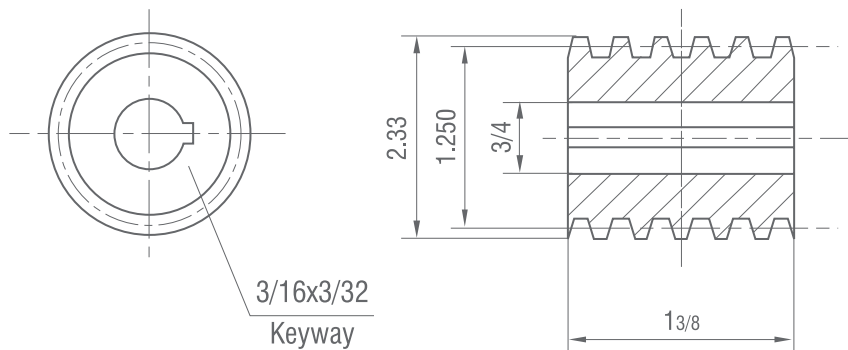
**10DP 5/8" Face**

Cast Iron and Bronze

PART NUMBER	Z	PD	Bore	Hub Dia	Hub Depth	wt Lbs	Style
WG1020D	20	2.00	7/8	1 5/8	5/8	0.65	CPL
WG1030D	30	3.00	7/8	1 3/4	5/8	1.3	CPL,CS
WG1040D	40	4.00	7/8	1 3/4	5/8	1.6	CWE,CS
WG1050D	50	5.00	7/8	2	1	2.9	CWE,CS
WG1060D	60	6.00	7/8	2	1	3.0	CWE,CS

**2 Double Steel -- 9° 5' Helix Angle Worms**

**W10-D**



CWE

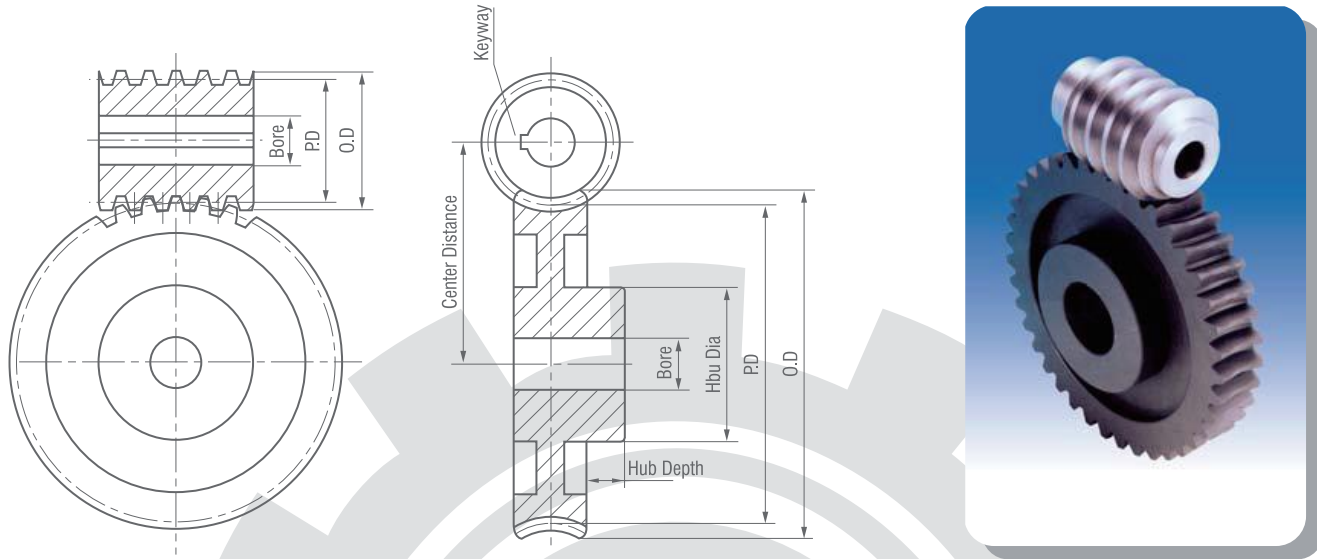


CPL

# Worm and Worm Gears

**14 1/2°** Pressure Angle

**10DP**



CSP

Right Hand Quadruple Thread -- Stocked Right Hand Only

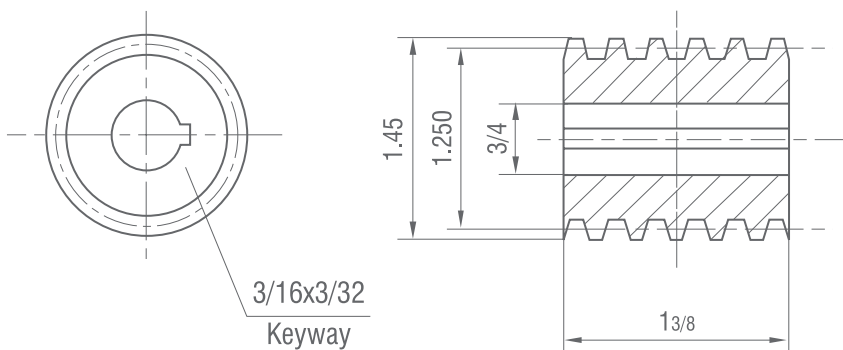
**10DP 5/8" Face**

Cast Iron and Bronze

PART NUMBER	Z	PD	Bore	Hub Dia	Hub Depth	wt Lbs	Style
WG1020Q	20	2.00	7/8	1 5/8	5/8	0.64	CPL
WG1030Q	30	3.00	7/8	1 3/4	5/8	1.3	CPL,CSP
WG1040	40	4.00	7/8	1 3/4	5/8	1.6	CWE,CSP

**4 Single Steel -- 17° 45' Helix Angle Worms**

**W10-Q**



CWE

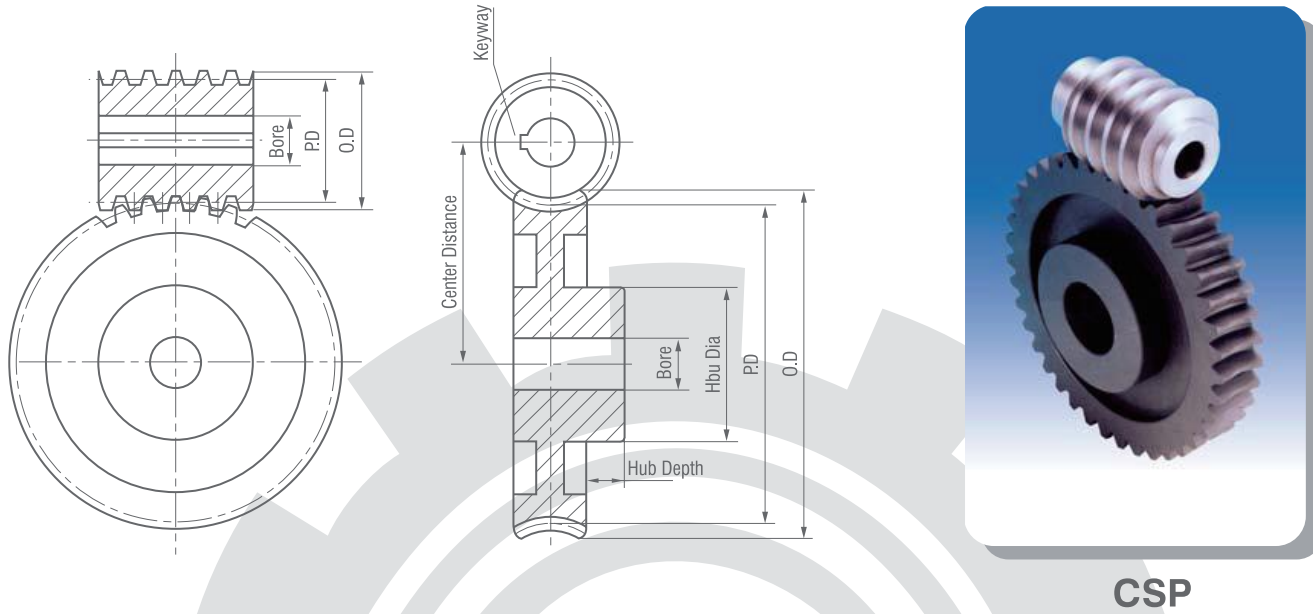


CPL

# Worm and Worm Gears

**14 1/2°** Pressure Angle

**12DP**



Right Hand Single Thread -- Stocked Right Hand Only

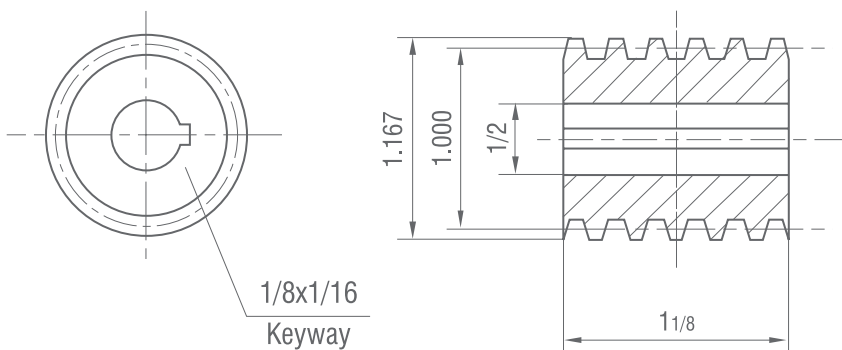
**12DP** 1/2" Face

Cast Iron and Bronze

PART NUMBER	Z	PD	Bore	Hub Dia	Hub Depth	wt Lbs	Style
WG1220	20	1.660	1/2	1 1/4	5/8	0.35	CPL
WG1230	30	2.500	1/2	1 1/4	5/8	0.71	CPL,CSP
WG1240	40	3.333	5/8	1 1/2	3/4	1.2	CPL,CSP
WG1250	50	4.166	5/8	1 1/2	3/4	1.5	CWE,CSP
WG1260	60	5.000	5/8	1 3/4	3/4	2.0	CWE,CSP
WG1280	80	6.666	5/8	2 1/2	3/4	3.9	CWE,CSP
WG12100	100	8.333	3/4	2	3/4	4.4	CWE,CSP

**1 Double Steel -- 4° 46' Helix Angle Worms**

**W12-S**



CWE



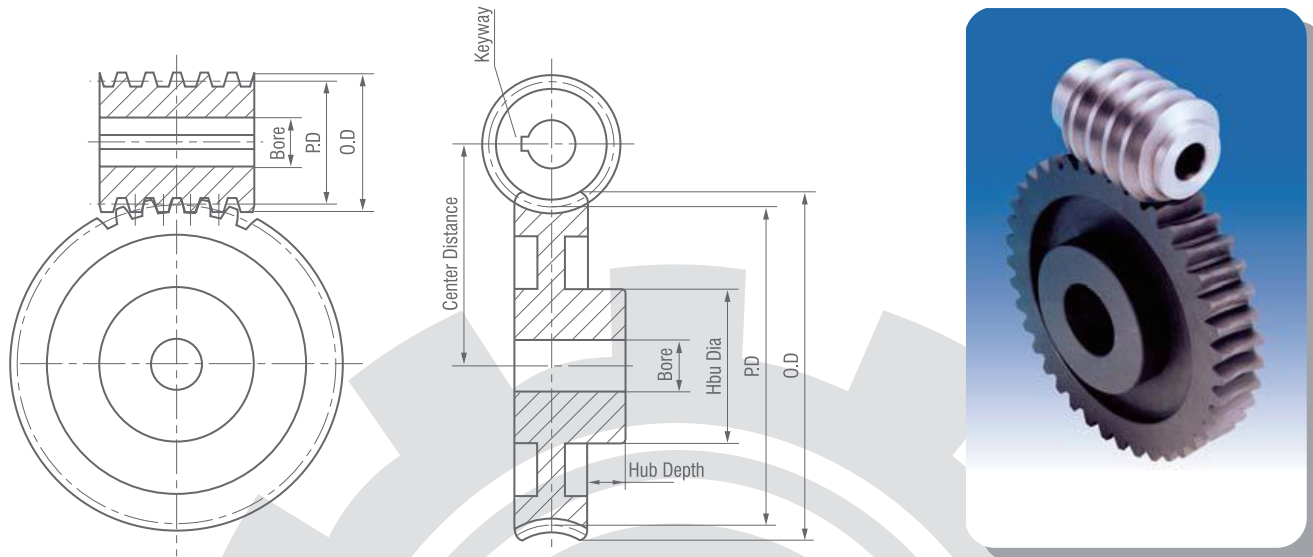
CPL



# Worm and Worm Gears

**12DP**

**14 1/2°** Pressure Angle



CSP

**Right Hand Double Thread -- Stocked Right Hand Only**

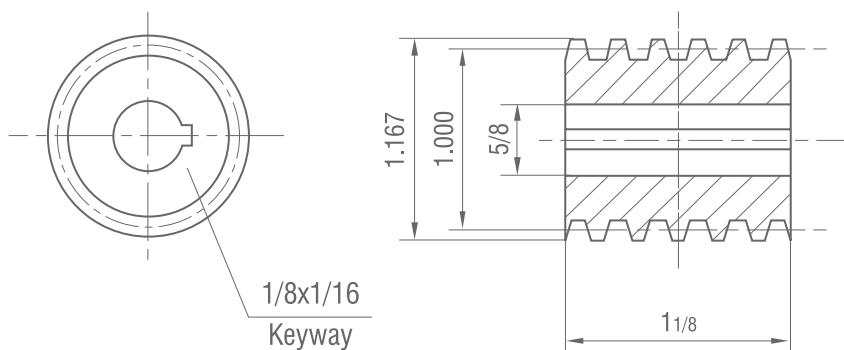
**12DP 1/2" Face**

**Cast Iron and Bronze**

PART NUMBER	Z	PD	Bore	Hub Dia	Hub Depth	wt Lbs	Style
WG1220D	20	1.666	1/2	1 1/4	1/2	0.32	CPL
WG1230D	30	2.500	3/4	1 1/2	5/8	0.78	CPL
WG1240D	40	3.333	3/4	1 3/4	5/8	1.3	CPL,CSP

**2 Double Steel -- 9° 28' Helix Angle Worms**

**W12-D**



CWE

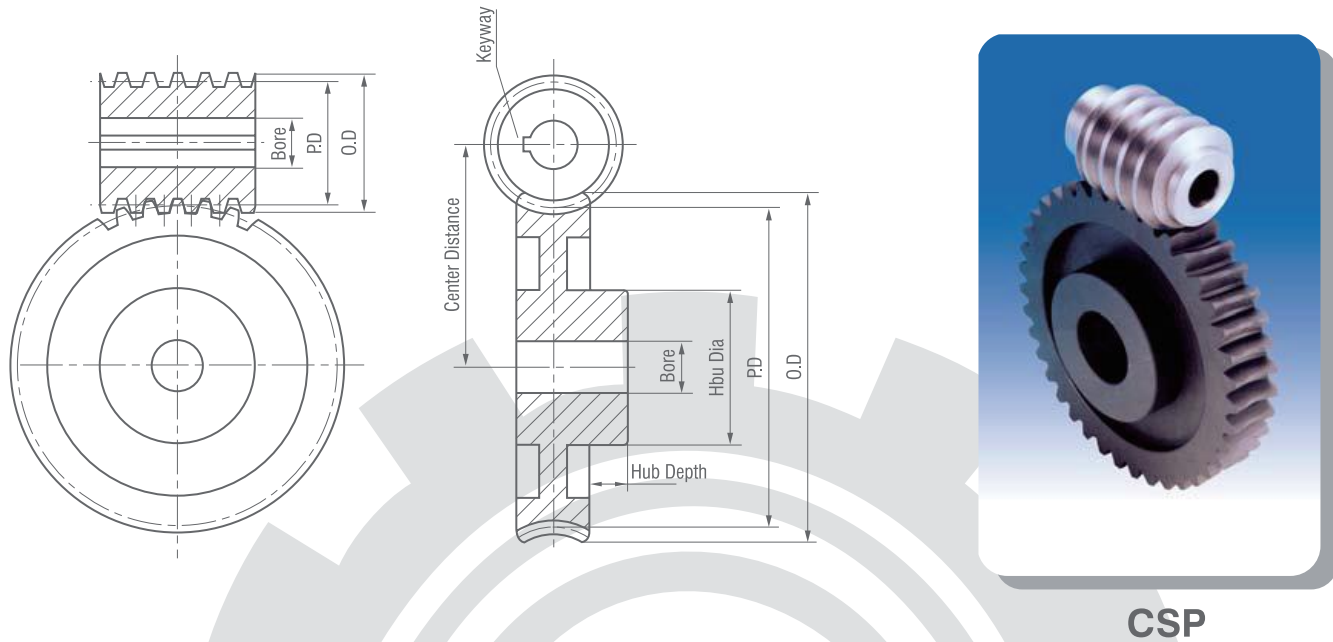


CPL

# Worm and Worm Gears

**12DP**

**14 1/2°** Pressure Angle



CSP

Right Hand Quadruple Thread -- Stocked Right Hand Only

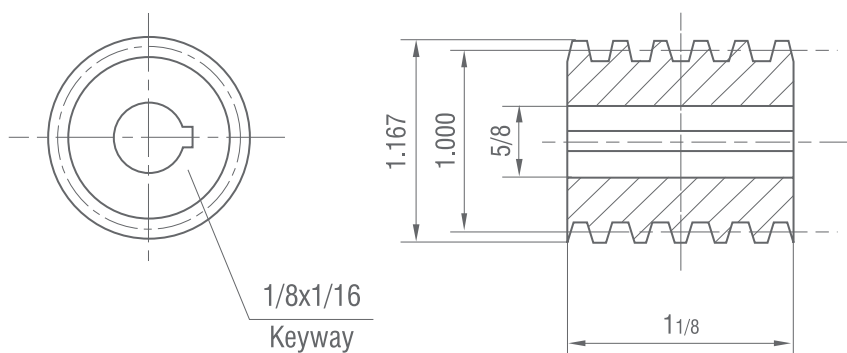
**12DP 1/2" Face**

Cast Iron and Bronze

PART NUMBER	Z	PD	Bore	Hub Dia	Hub Depth	wt Lbs	Styl
WG1220Q	20	1.666	1/2	1 1/4	1/2	0.32	CP
WG1230Q	30	2.500	3/4	1 1/2	5/8	0.38	CP
WG1240	40	3.333	3/4	1 3/4	5/8	0.80	CPL,C

**4 Quadruple Steel -- 18 26' Helix Angle Woms**

**W12-Q**



CWE

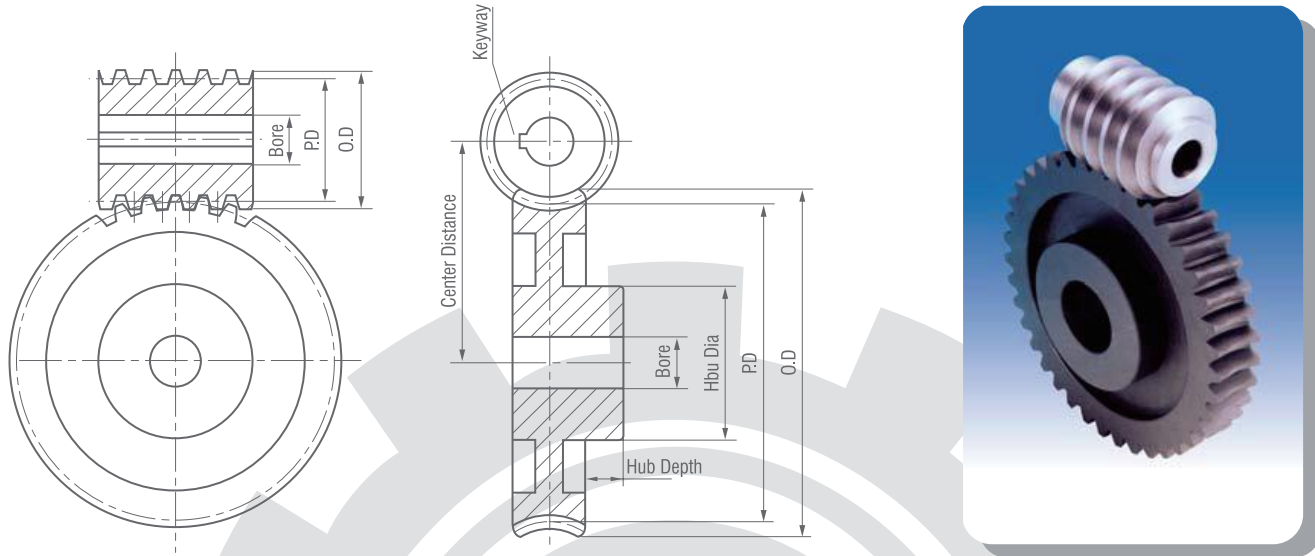


CPL

# Worm and Worm Gears

**14 1/2°** Pressure Angle

**16DP**



CSP

Right Hand Single Thread -- Stocked Right Hand Only

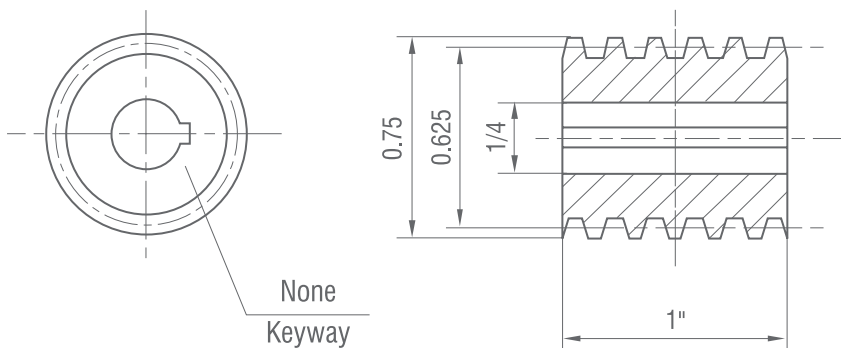
**16DP** 5/16" Face

Cast Iron and Bronze

PART NUMBER	Z	PD	Bore	Hub Dia	Hub Depth	wt Lbs	Style
WG1620	20	1.250	1/4	5/8	5/16	0.13	CPL
WG1630	30	1.875	5/16	3/4	3/8	0.28	CPL,CSP
WG1640	40	2.500	5/16	3/4	3/8	0.42	CPL,CSP
WG1650	50	3.125	3/8	7/8	7/16	0.50	CPL,CSP

**1** Single Steel -- 5° 43' Helix Angle Worms

**W16-S**



CWE

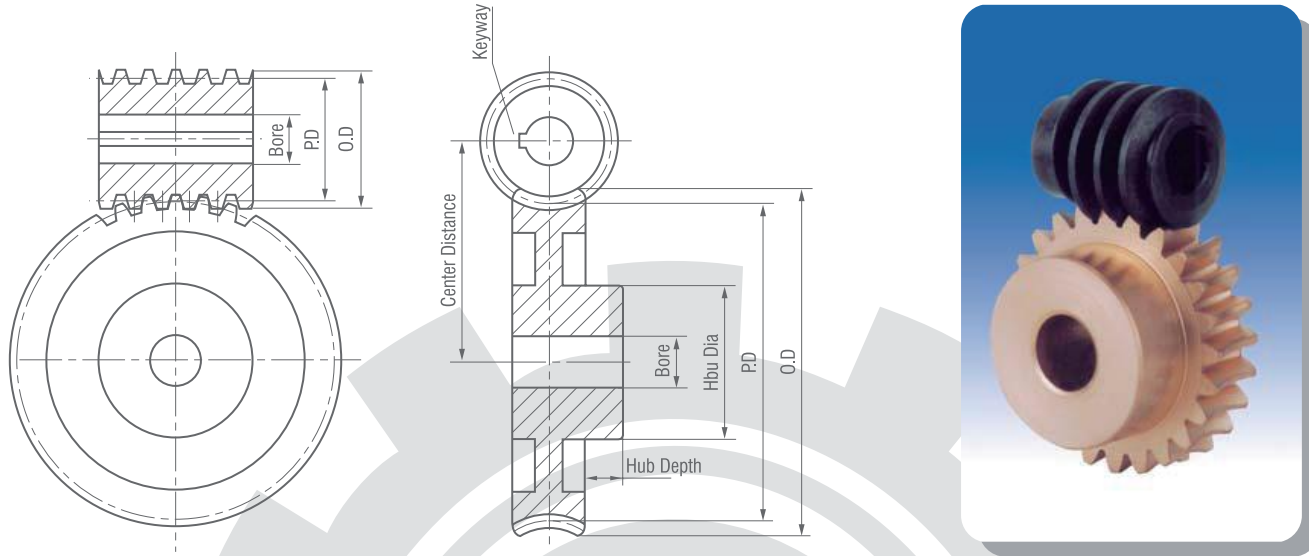


CPL

# Worm and Worm Gears

**16DP**

**14 1/2°** Pressure Angle



CPL

**Right Hand Double Thread -- Stocked Right Hand Only**

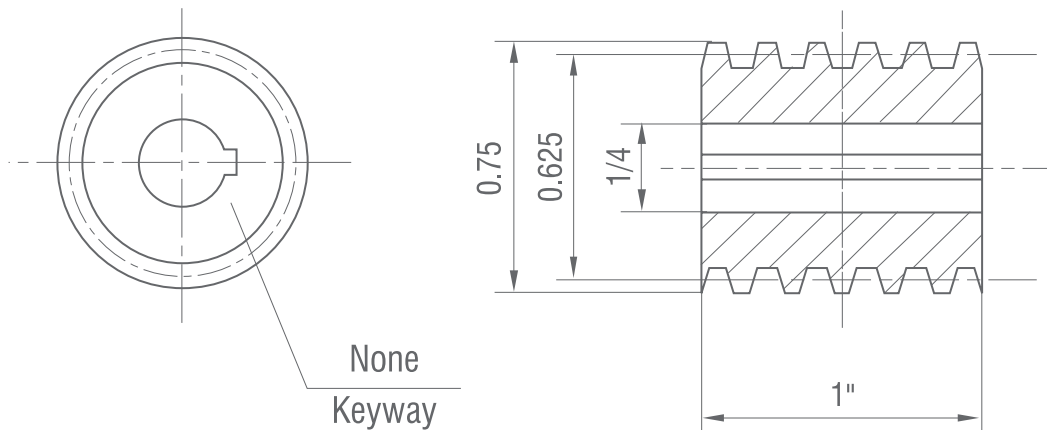
**16DP 5/16" Face**

**Bronze**

PART NUMBER	Z	PD	Bore	Hub Dia	Hub Depth	wt Lbs	Style
WG1620D	20	1.250	1/4	5/8	5/16	0.14	CPL

**2 Double Steel -- 11° 19' Helix Angle Worm**

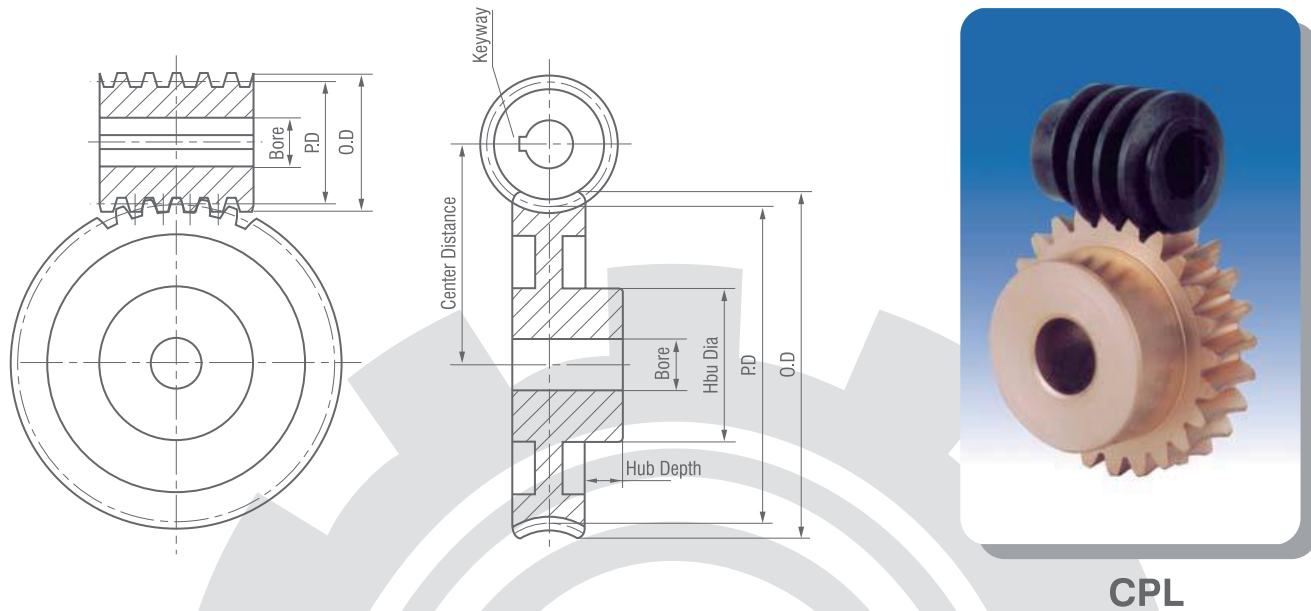
**W16-D**



# Worm and Worm Gears

**16DP**

**14 1/2°** Pressure Angle



Right Hand Quadruple Thread -- Stocked Right Hand Only

**16DP** 5/16" Face

Bronze

PART NUMBER	Z	PD	Bore	Hub Dia	Hub Depth	wt Lbs	Style
WG1620	20	1.25	1/4	5/8	5/16	0.14	CPL

**4 Double Steel -- 21 48' Helix Angle Worms**

**W16-Q**

